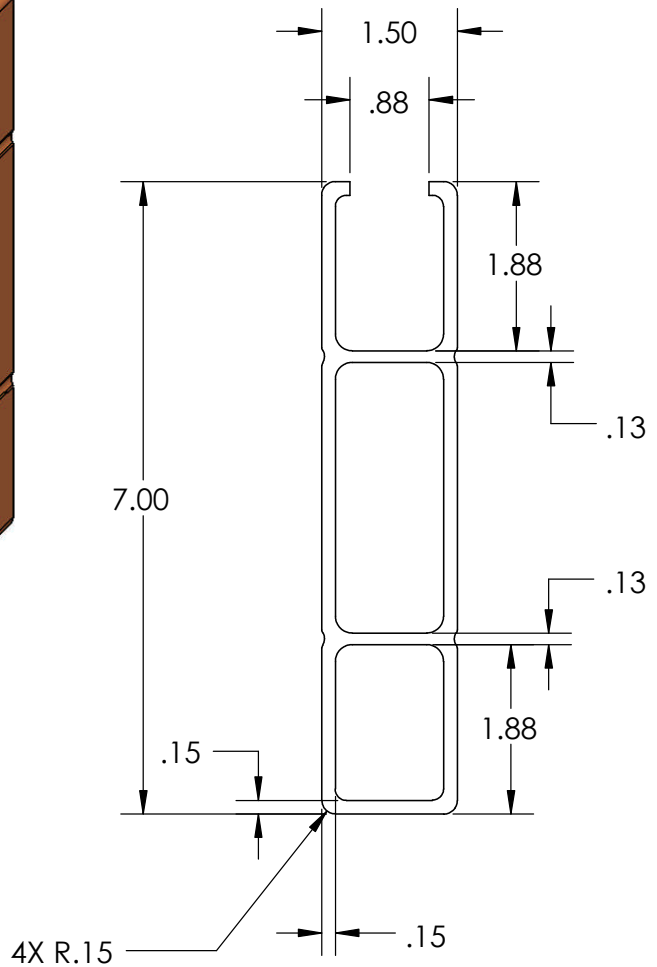
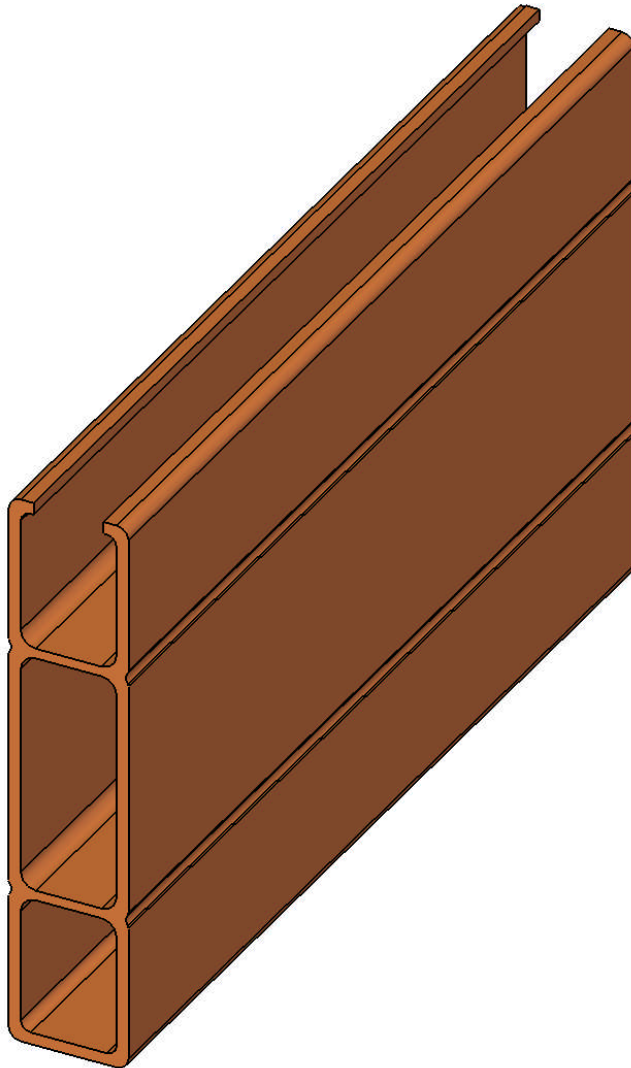


# TECHNICAL REFERENCE DRAWING

## HOLLOW RAIL WITH GROOVE



### HOLLOW RAIL WITH GROOVE STANDARD LENGTHS

PART NUMBER	LENGTH
NC-275-06	6 FEET
NC-275-08	8 FEET
ADDITIONAL LENGTHS AVAILABLE UPON REQUEST	

**PHYSICAL PROPERTIES**  
 MASS = 1.28 LBS/LINEAR FOOT  
 CROSS SECTIONAL AREA = 2.67 IN<sup>2</sup>

**PROPRIETARY AND CONFIDENTIAL**

THE INFORMATION CONTAINED IN THIS DRAWING IS THE SOLE PROPERTY OF NATURES COMPOSITES. ANY REPRODUCTION IN PART OR AS A WHOLE WITHOUT THE WRITTEN PERMISSION OF NATURES COMPOSITES IS PROHIBITED.

PART NUMBER	NC-275
DESCRIPTION	HOLLOW RAIL WITH GROOVE
DRAWN BY: JTM	DATE: 04/23/2014



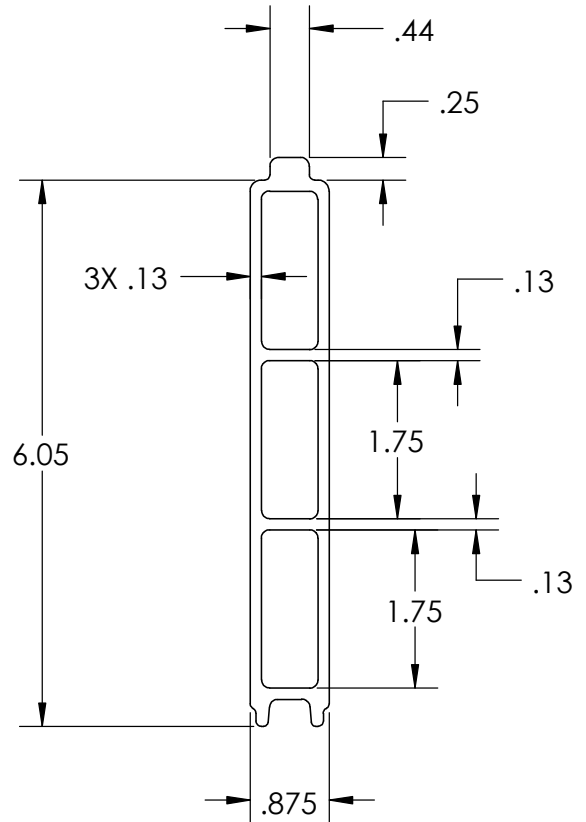
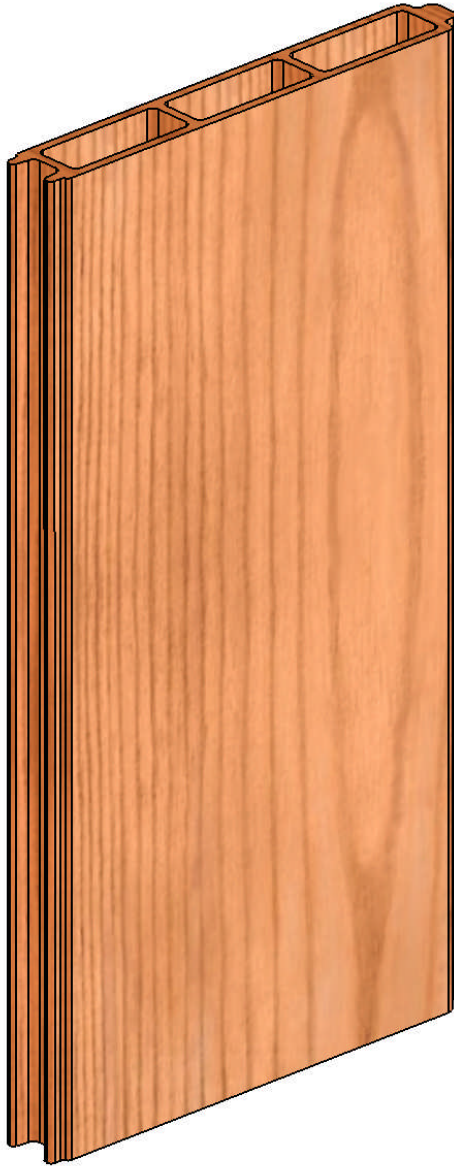
**NATURES COMPOSITES™**

ORGANIC BUILDING PRODUCTS  
 1302 INDUSTRIAL PARK AVE.  
 TORRINGTON, WYOMING 82240  
 (844) 332-5338

[WWW.NATURESCOMPOSITESHENCE.COM](http://WWW.NATURESCOMPOSITESHENCE.COM)

# TECHNICAL REFERENCE DRAWING

## HOLLOW FENCE BOARD



### HOLLOW FENCE BOARD STANDARD LENGTHS

PART NUMBER	LENGTH
NC-PCKT-T&G-05	5 FEET

**PHYSICAL PROPERTIES**  
 MASS = 0.95 LBS/LINEAR FOOT  
 CROSS SECTIONAL AREA = 1.97 IN<sup>2</sup>

**PROPRIETARY AND  
CONFIDENTIAL**

THE INFORMATION CONTAINED IN THIS DRAWING IS THE SOLE PROPERTY OF NATURES COMPOSITES. ANY REPRODUCTION IN PART OR AS A WHOLE WITHOUT THE WRITTEN PERMISSION OF NATURES COMPOSITES IS PROHIBITED.

PART NUMBER <b>NC-PCKT-T&amp;G-05</b>
DESCRIPTION <b>HOLLOW FENCE BOARD</b>
DRAWN BY: JTM    DATE: 04/30/2014



**NATURES COMPOSITES™**

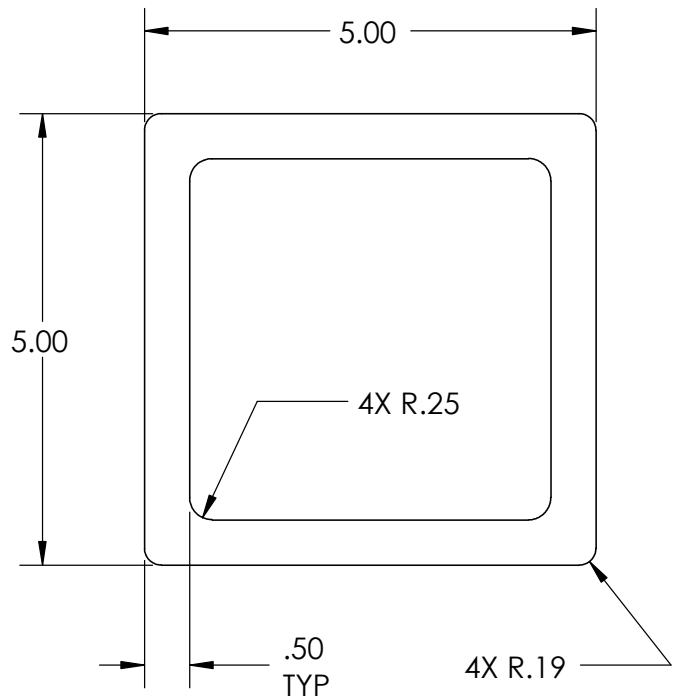
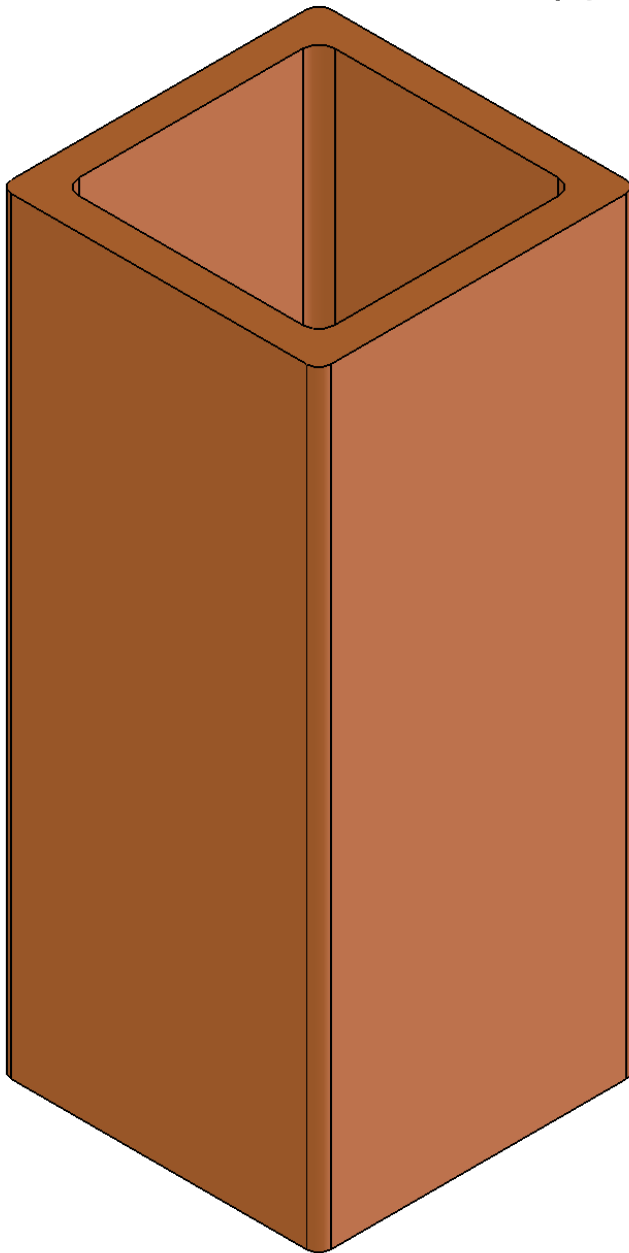
ORGANIC BUILDING PRODUCTS  
 1302 INDUSTRIAL PARK AVE.  
 TORRINGTON, WYOMING 82240  
 (844) 332-5338

[WWW.NATURESCOMPOSITESHENCE.COM](http://WWW.NATURESCOMPOSITESHENCE.COM)

# TECHNICAL REFERENCE DRAWING

## HOLLOW POST

5" X 5"  
(.500" WALL)



<b>HOLLOW POST</b> <b>5" X 5"</b> <b>(.50" WALL)</b> <b>STANDARD LENGTH</b>	
PART NUMBER	LENGTH
NC-PCP-08.5	8.5 FEET

### PHYSICAL PROPERTIES

MASS = 4.33 LBS/LINEAR FOOT

CROSS SECTIONAL AREA = 9.02 IN<sup>2</sup>

#### PROPRIETARY AND CONFIDENTIAL

THE INFORMATION CONTAINED IN THIS DRAWING IS THE SOLE PROPERTY OF NATURES COMPOSITES. ANY REPRODUCTION IN PART OR AS A WHOLE WITHOUT THE WRITTEN PERMISSION OF NATURES COMPOSITES IS PROHIBITED.

PART NUMBER	<b>NC-PCP-08.5</b>
DESCRIPTION	HOLLOW POST 5" X 5" (.500" WALL)
DRAWN BY:	JTM
DATE:	04/28/2014



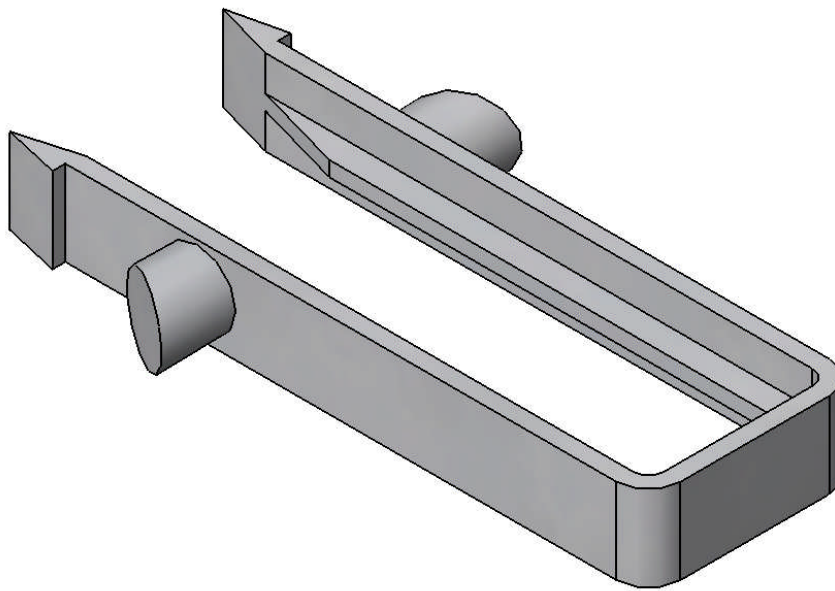
#### NATURES COMPOSITES™

ORGANIC BUILDING PRODUCTS  
1302 INDUSTRIAL PARK AVE.  
TORRINGTON, WYOMING 82240  
(844) 332-5338

[WWW.NATURESCOMPOSITESHENCE.COM](http://WWW.NATURESCOMPOSITESHENCE.COM)

# TECHNICAL REFERENCE DRAWING

## RAIL CLIP



**PROPRIETARY AND  
CONFIDENTIAL**

THE INFORMATION CONTAINED IN THIS  
DRAWING IS THE SOLE PROPERTY OF  
NATURES COMPOSITES. ANY  
REPRODUCTION IN PART OR AS A WHOLE  
WITHOUT THE WRITTEN PERMISSION OF  
NATURES COMPOSITES IS PROHIBITED.

PART NUMBER

**NC-RCLP-27**

DESCRIPTION

RAIL CLIP

DRAWN BY: JTM DATE: 04/28/2014



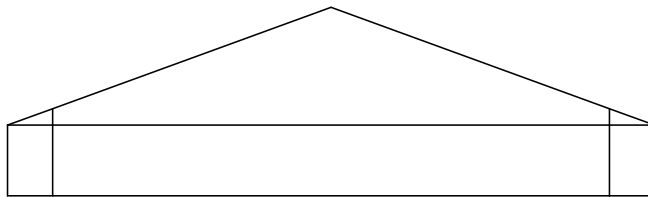
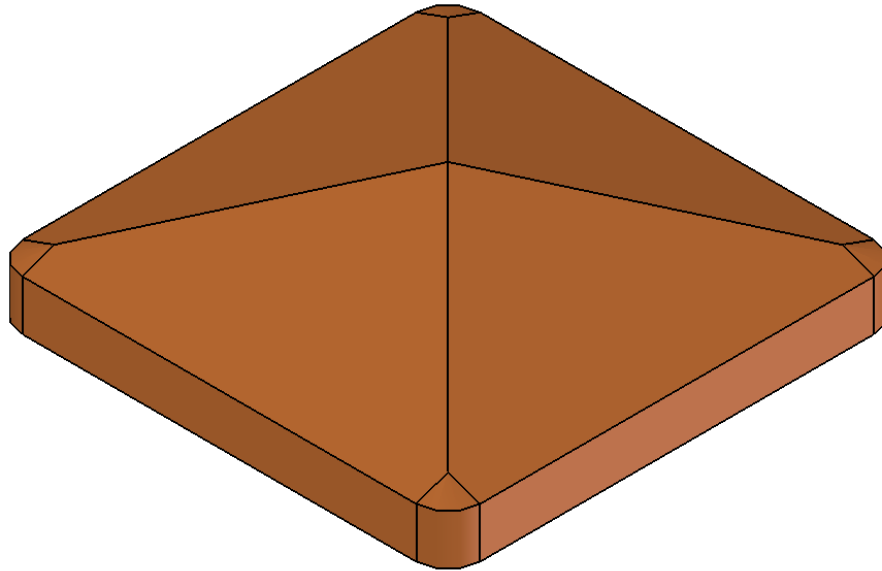
**NATURES COMPOSITES™**

ORGANIC BUILDING PRODUCTS  
1302 INDUSTRIAL PARK AVE.  
TORRINGTON, WYOMING 82240  
(844) 332-5338

[WWW.NATURESCOMPOSITESHENCE.COM](http://WWW.NATURESCOMPOSITESHENCE.COM)

# TECHNICAL REFERENCE DRAWING

## POST CAP 5 X 5



**PROPRIETARY AND  
CONFIDENTIAL**

THE INFORMATION CONTAINED IN THIS  
DRAWING IS THE SOLE PROPERTY OF  
NATURES COMPOSITES. ANY  
REPRODUCTION IN PART OR AS A WHOLE  
WITHOUT THE WRITTEN PERMISSION OF  
NATURES COMPOSITES IS PROHIBITED.

PART NUMBER

**NC-PC750**

DESCRIPTION

POST CAP  
5 X 5

DRAWN BY: JTM DATE: 04/29/2014



**NATURES COMPOSITES™**

ORGANIC BUILDING PRODUCTS  
1302 INDUSTRIAL PARK AVE.  
TORRINGTON, WYOMING 82240  
(844) 332-5338

[WWW.NATURESCOMPOSITESHENCE.COM](http://WWW.NATURESCOMPOSITESHENCE.COM)