



FENCE & DECK SUPPLY
 SLC: 2912 S. 460 W.
 Provo: 543 E. 600 S.
 801-990-6888
 fenceanddecksupply.com

STEEL RAIL FENCE ESTIMATOR

801-990-6888 • 801-374-6428
 Sales@FenceandDeckSupply.com

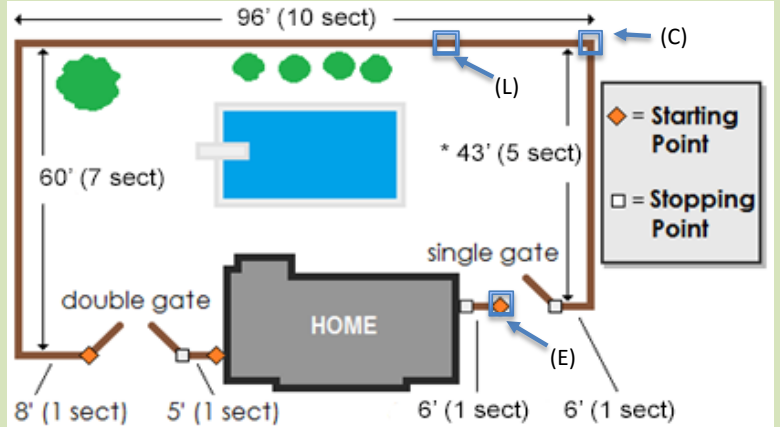
How To Estimate Materials:

1. Diagram your fence including all gate locations. For each continuous run, mark starting points and stopping points (see example to the right).
2. Write the measurements for each line in feet. Determine the section count by dividing each line on your diagram by 9.65 (always round up). Post spacing for a Steel Rail Fence is 9.65 ft. on-center maximum. Write the section count next to each line.
3. Total the # of sections (this will give you the # of rail kits to order).
4. Total the # of stopping points.
5. Total the # of sections + # of stopping points (this will give the # of total posts to order).
6. Determine the type of posts (corner, end, line) needed:

- A corner post (C) is connected to two sections at an angle.
- An end post (E) is connected to only one section.
- A line post (L) is connected to two sections in same direction.

tip: # of line posts equals # of total posts minus # of corner posts minus # of end posts

Example diagram: Steel Rail fence with 9.65 ft. (max) post spacing



*Example 43 ft. length: 43 ft. ÷ 9.65 ft. post spacing = 4.5 sections, round up to 5 sections

Sections: 26 + Stopping points: 3 = Total Posts: 29
 Total Posts: 29 — Corners (C): 4 — Ends (E): 6 = Lines (L): 19

CALCULATE MATERIALS HERE

of Sections: _____
 plus
 # of Stopping Points: _____
 equals
 Total # of Posts: _____
 minus
 # of Corner Posts: _____
 minus
 # of End Posts: _____
 equals
 # of Line Posts: _____

DIAGRAM LAYOUT HERE: (If necessary, refer to instructions above)