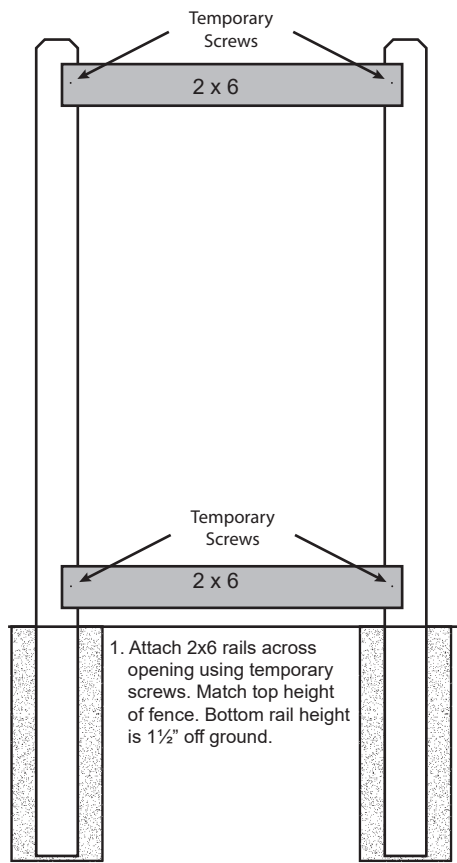
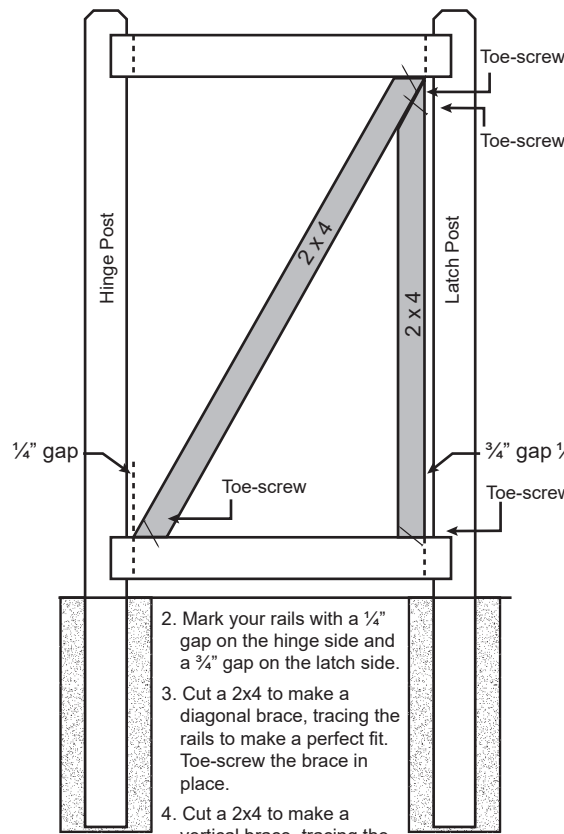


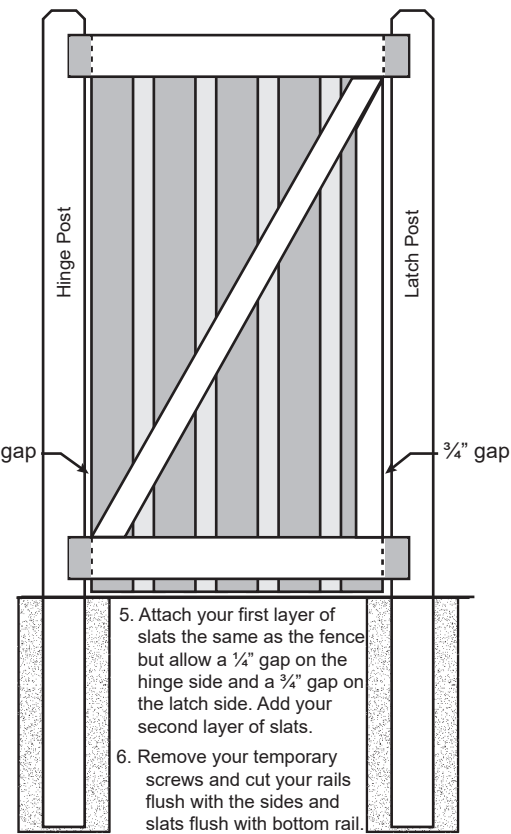
CANYON WINDS GATE



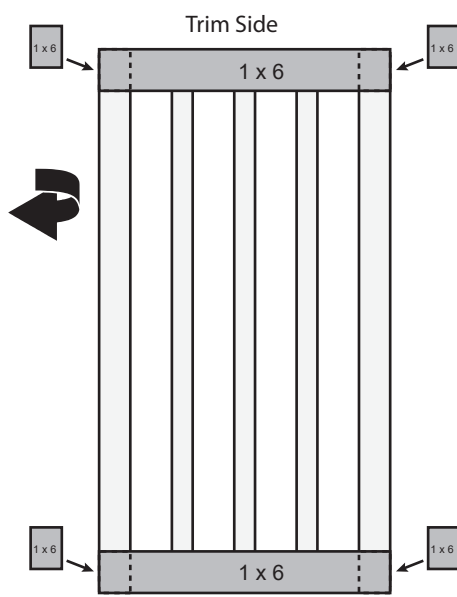
1. Attach 2x6 rails across opening using temporary screws. Match top height of fence. Bottom rail height is 1 1/2" off ground.



2. Mark your rails with a 1/4" gap on the hinge side and a 3/4" gap on the latch side.
3. Cut a 2x4 to make a diagonal brace, tracing the rails to make a perfect fit. Toe-screw the brace in place.
4. Cut a 2x4 to make a vertical brace, tracing the diagonal brace for proper fit. Toe-screw the vertical brace in place.

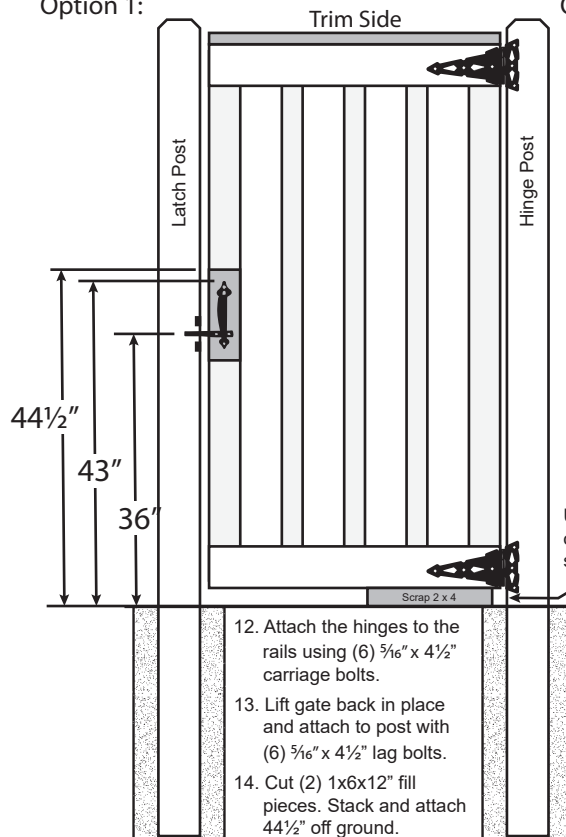


5. Attach your first layer of slats the same as the fence but allow a 1/4" gap on the hinge side and a 3/4" gap on the latch side. Add your second layer of slats.
6. Remove your temporary screws and cut your rails flush with the sides and slats flush with bottom rail.



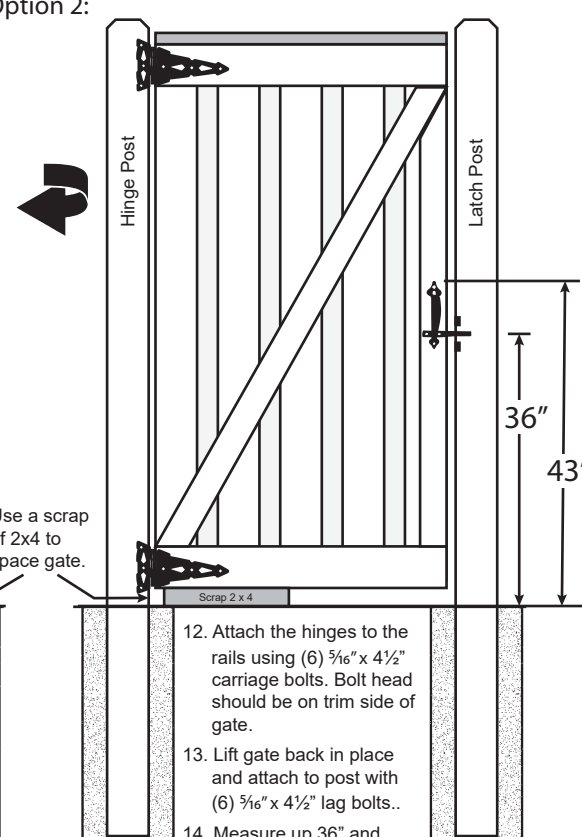
7. Flip the gate over to the trim side.
8. Cut (4) fill pieces of 1x6 to fit between the edge of gate and the edge of the top slats.
9. Attach (2) 1x6 trim boards.
10. Determine the swing direction. Hinges and latch pin mount on the swing side of gate.
11. If Outside Swing proceed to Option 1. If Inside Swing, flip the gate back over to the brace side and proceed to Option 2.

Option 1:



12. Attach the hinges to the rails using (6) 3/16" x 4 1/2" carriage bolts.
13. Lift gate back in place and attach to post with (6) 3/16" x 4 1/2" lag bolts.
14. Cut (2) 1x6x12" fill pieces. Stack and attach 44 1/2" off ground.
15. Measure up 36" and attach latch pin using (2) 3/16" x 4 1/2" carriage bolts.
16. Attach latch receiver to latch post to match.
17. Measure up 43" and attach handle. Attach second handle on brace side of gate.
18. Cut a 2x4 cap rail to match gate width and attach.

Option 2:



12. Attach the hinges to the rails using (6) 3/16" x 4 1/2" carriage bolts. Bolt head should be on trim side of gate.
13. Lift gate back in place and attach to post with (6) 3/16" x 4 1/2" lag bolts..
14. Measure up 36" and attach latch pin using (2) 3/16" x 4 1/2" carriage bolts.
15. Attach latch receiver to latch post to match.
16. Measure up 43" and attach handle. Attach second handle on trim side of gate.
17. Cut a 2x4 cap rail to match gate width and attach.