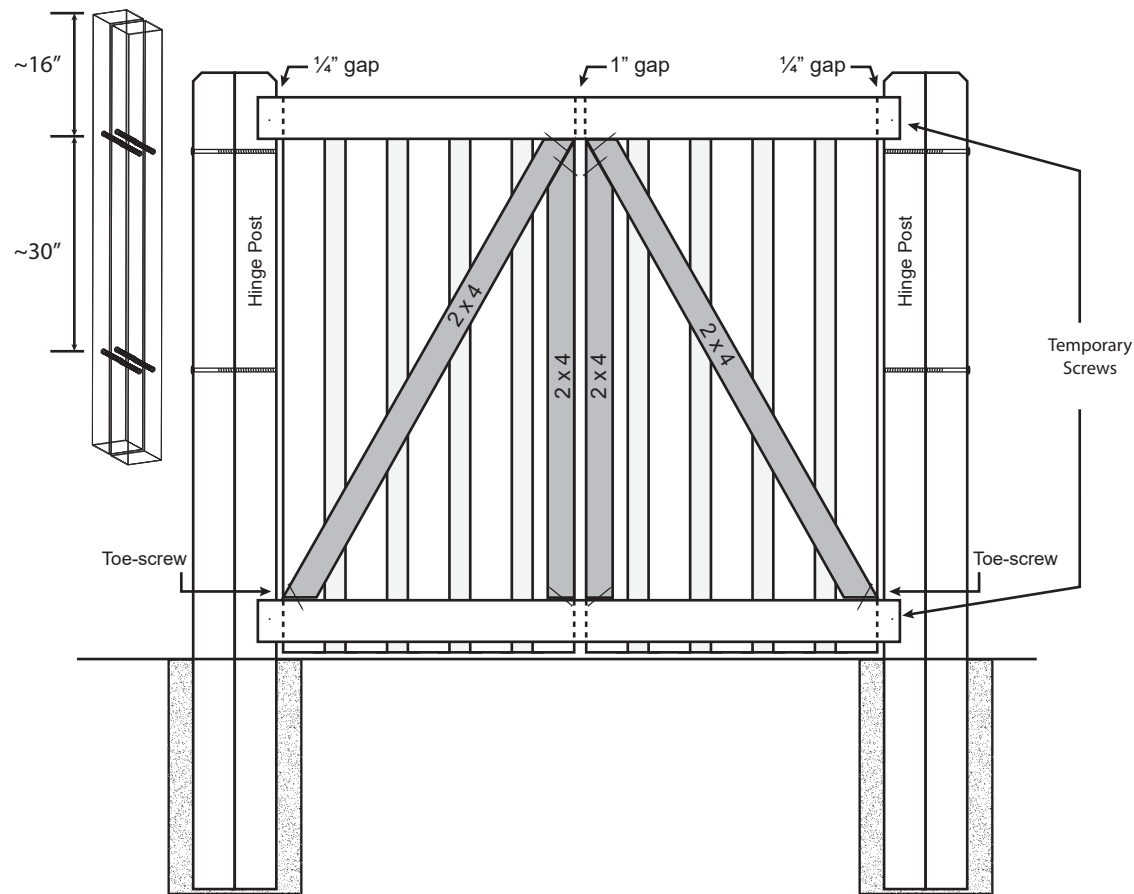


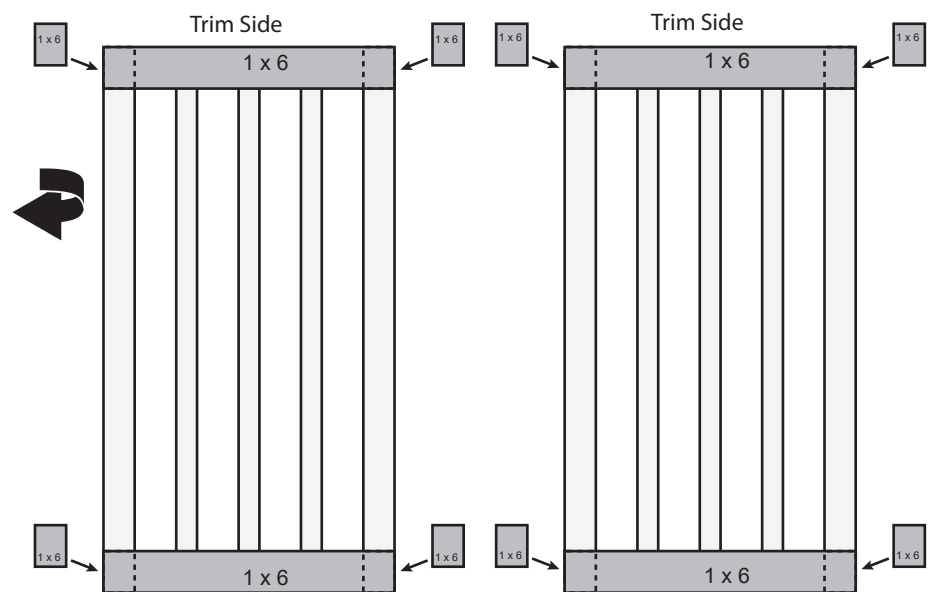
# CANYON WINDS DOUBLE GATE

\* (Before setting gate posts, bolt (2) posts together using (4) 1/2" x 12" carriage bolts, measuring down from the top about 16" and place (2) bolts and then measure down another 30" and place (2) more bolts. Repeat for other gate post.)

1. Attach 2x6 rails across opening using temporary screws. Match top height of fence. Bottom rail height is 1 1/2" off ground.
2. Mark your rails with a 1/4" gap at each hinge post and a 1" gap in the middle for the latch.
3. Cut 2x4s to make diagonal braces, tracing the rails for proper fit. Toe-screw in place.
4. Cut 2x4s to make vertical braces, tracing the diagonal braces for proper fit. Toe-screw in place.
5. Attach your first layer of slats the same as the fence but allow a 1/4" gap at each hinge post and a 1" gap in the middle for the latch. Add your second layer of slats.
6. Remove your temporary screws and cut your rails flush with the sides and slats flush with bottom rail.



7. Flip the gates over to the trim side.
8. Cut (8) fill pieces of 1x6 to fit between the edge of gates and the edge of the top slats.
9. Attach (4) 1x6 trim boards.
10. Determine the swing direction. Hinges and latch pin mount on the swing side of gate.\*\*



11. Attach the hinges to the rails using (12) 5/16" x 4 1/2" carriage bolts. Bolt heads should always be on the outside of gate.
12. Lift gates back in place and attach to posts with (12) 5/16" x 4 1/2" lag bolts.

13. Determine which half is active and which is passive. The passive half will receive the drop rod. Attach the lower drop rod guide to the bottom rail on the passive leaf. Center the drop rod on the vertical brace. Measure up 9" to attach the upper drop rod guide (drop rod must be inserted before attaching).

14. Measure up 36" and attach latch pin using (2) 5/16" x 4 1/2" carriage bolts.

15. Attach post latch receiver to the passive half to match pin height.

16. Measure up 43" and attach handle. Attach second handle on brace side of gate.

17. Cut a 2x4 cap rail to match gate width and attach.

18. Mark where drop rod touches the ground. If on concrete, drill a hole using 3/4" concrete drill. If on dirt, cement a length of sprinkler pipe in place to hold gate.

