

Installation Instructions for IronGuard™ Railing



Method: Traditional 2-rail panels with railing brackets and steel plated posts.

Important Installation Note

It is the installer that is responsible to meet all code and safety requirements, and to obtain all building permits pertaining to the project. The installer should use appropriate installation methods for each installation. The manufacturer, distributor, or dealer shall not be held liable for improper or unsafe installations.

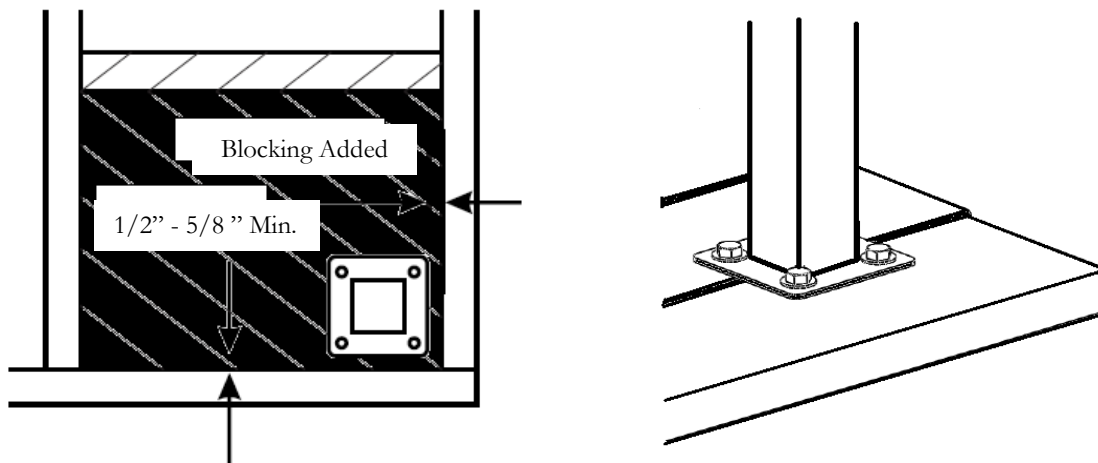
Required Materials for Installation

Drill, Drill Bits, T-25 Driver Bit, Drill Bit Extender, Tape Measure, Wrenches, Speed Square, 3-3/4" Support, and Hammer.

Items Per Railing Section

1 – Railing Panel	1 – Base Cove, if applicable	12 – Self Tapping Fasteners
4 – Railing Brackets	1 – Self Fitting Cap	
1 – Steel Post with plated base	1 – 3/8" x 3-1/2" hex head galvanized fasteners	

Mounting Steel Plated Posts



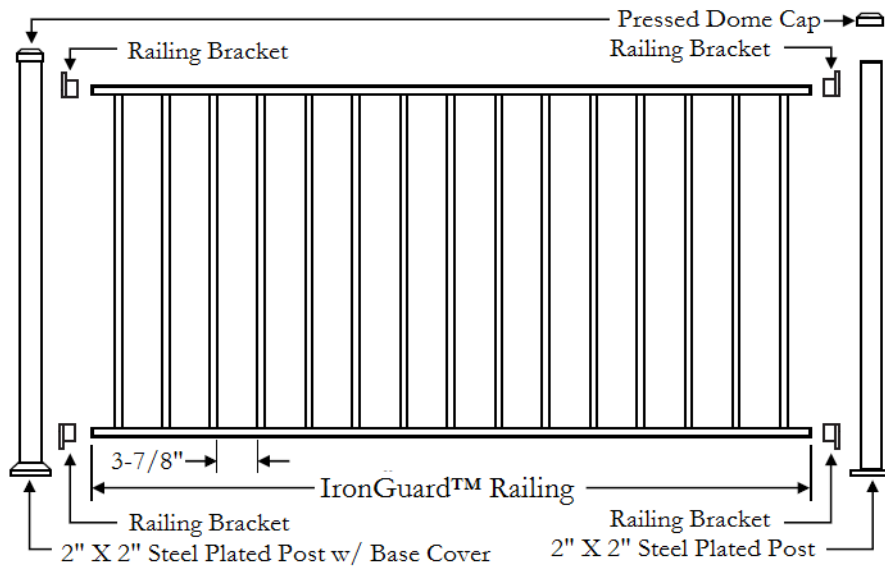
Instructions:

- Added wood blocking tied to deck framing must be installed with a minimum thickness of 1-1/2"
- Position the base plate's edge minimum of 1/2"-5/8" from the inside edge of the rim joist
- Mount steel plated posts at appropriate placements based on panel dimensions
- Fasten steel plated posts with a 3/8" x 3-1/2" hex head galvanized fasteners (lag bolts)

Installation Important Note: IronGuard™ Railing steel plated posts must never be attached only to deck boards. Always secure steel plated posts to the added blocking in the deck framing.

Assembling Railing Brackets and Panels

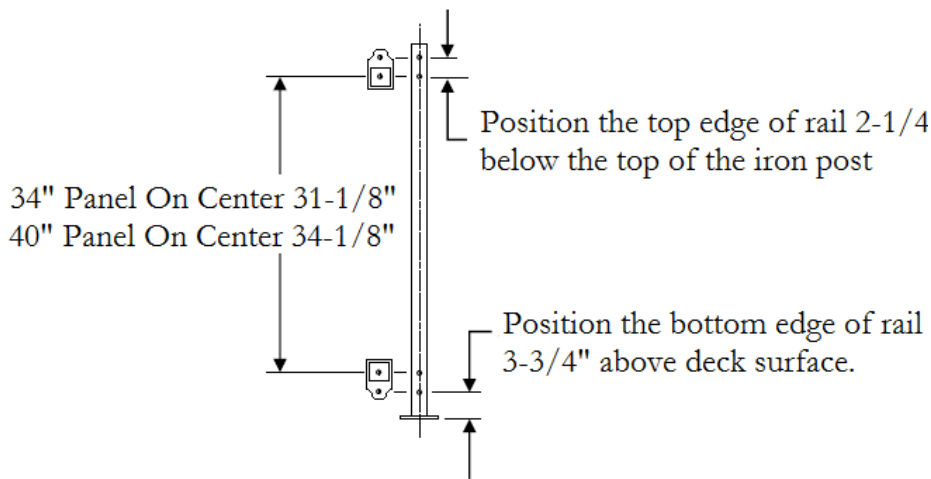
IronGuard™ Railing Section Drawing



Railing Section Instructions:

- Pre-drill holes for mounting brackets by using a 5/32" drill bit. Refer to Pre-Drill Post Drawing for collar bracket hole measurements.
- Each railing section requires 4-railing brackets, 12-self tapping fasteners
- Each post with base plate requires 1-base cover, 1-pressed dome cap, & 4-3/8" x 3-1/2" hex head galvanized fasteners (lag bolts).
- If rail panels were cut to length, smooth cut edges and spray paint two coats of gloss black zinc based touch-up paint.
- If applicable, install base covers by sliding over the steel plated post and covering the hex head fasteners at the post's base.
- Before mounting railing brackets with railing panel, check to see if the railing panel fits between the installed posts.
- Mount two of the four brackets to one of the steel plated post in a railing section. Insert railing panel into the secured railing brackets and secure panel through one side of the mounted brackets by using a self tapping fastener.
- Slide the remaining two railing brackets onto the fastened railing panel. Place railing brackets over the pre-drilled holes on the other plated steel plated post and secure railing brackets to the post. Secure panel through one side of the railing brackets by using a self tapping fastener.

Pre-Drill Post Drawing



Installation Important Note:

If cutting IronGuard™ Railing, it is very important to follow the steps below to maintain product from rusting around the cut areas:

- Remove any metal shavings from cut area
- File all sharp edges leftover by cutting product. Clean and remove any dirt, grime, or filings from the railing.
- Apply two coats of gloss black zinc based touch-up paint to the product area that has been cut. Allow touch-up paint to dry before connecting panels to brackets.
- Remove all metal shavings from deck, patio, or balcony surfaces to prevent rust from happening on the surface.

For technical assistance, please email Sales@FenceAndDeckSupply.com

Hours of operation Monday through Friday 8:00 AM to 5:00 PM, MDT

FenceAndDeckSupply.com/Railing/Ironguard-Railing/