

# TREX TRANSCEND® RAILING

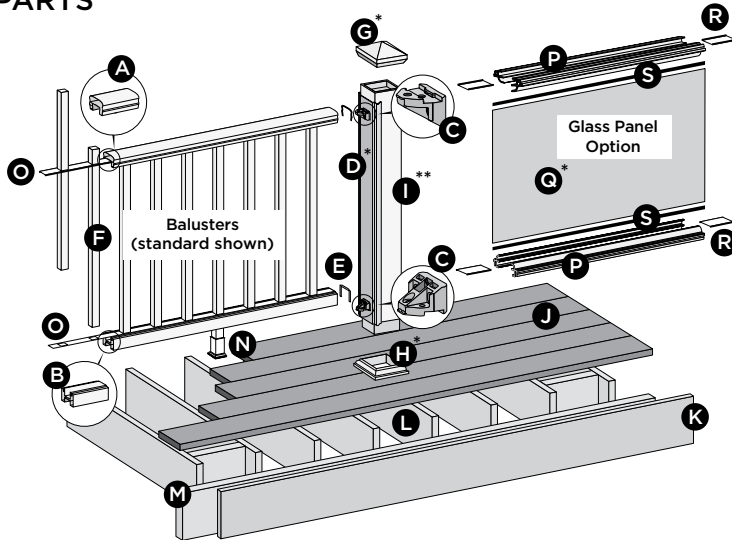
## Installation Instructions



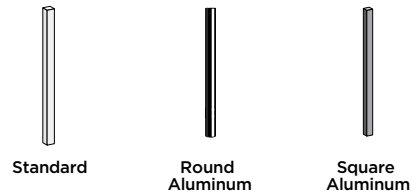
### NOTES:

- » TREX TRANSCEND RAILINGS ARE DESIGNED TO BE INSTALLED OVER THE DECKING FRAME OR ON INSIDE OF RIM JOIST. NOTCHING OF PRESSURE-TREATED POSTS OR POSTS INSTALLED ON OUTSIDE OF RIM JOIST IS NOT ALLOWED.
- » All Trex Transcend railing lengths are manufactured at ON CENTER dimensions (spanning from center of each post): 67-5/8" (1718 mm) for 6' (1.83 m) on center, and 91-5/8" (2353 mm) for 8' (2.44 m) on center. Note that railings are designed to be slightly longer than required to allow for very slight play in post placement - some minimal trimming may be required. IT IS VERY IMPORTANT TO MEASURE FIRST.

### PARTS



### BALUSTER OPTIONS



**NOTE:** Pictorial representations shown may only show one style of railing, while others may also be used. Review detailed instructions to determine what railing styles and combinations can be used.

### DETERMINING BALUSTERS NEEDED

Baluster Type	Per 6' OC Section	Per 8' OC Section
Square (Horizontal Application)	13	18
Square (Stair Application)	11	15
Round/Square Aluminum (Horizontal Application)	15	20
Round/Square Aluminum (Stair Application)	12	16

**NOTE:** Basic installation for balusters is the same for all options. When using round or square aluminum balusters, use correct baluster spacers.

**NOTE:** If installing 42" (1067 mm) railing, use longer post sleeves and measure accordingly to ensure a proper cut. **DO NOT CUT TO ACTUAL 42" LENGTH WITHOUT CONFIRMING WHAT STYLE OF RAILING YOU ARE INSTALLING.**

**NOTE:** If using post mounts, refer to detailed instructions provided with post mounts for attaching these prior to installation of any railing type.

- A. Crown or Universal
- B. Universal
- C. Trex railing support bracket (RSB)
- D. TrexExpress™ Railing Assembly Template\*
- E. Rail gaskets
- F. Balusters
- G. Post sleeve cap\*
- H. Post sleeve skirt\*
- I. Post sleeve - 4" x 4" (102 mm x 102 mm) or 6" x 6" (152 mm x 152 mm) post sleeve)\*\*
- J. Trex decking
- K. Trex fascia
- L. Code-approved wood joist - 2" x 8" (51 mm x 203 mm)
- M. Code-approved wood rim joist - 2" x 8" (51 mm x 203 mm) or larger
- N. Adjustable foot block (qty of one is required for all railing span lengths)
- O. Baluster spacer

### Trex Transcend Glass Panel Parts List

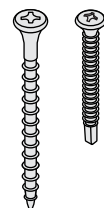
- P. Panel support molding
- Q. Tempered glass panel\*
- R. Trex panel support molding spacer
- S. Weather-stripping

\* Item not included in the Transcend railing kits.

\*\* Both 4" x 4" (102 mm x 102 mm) and 6" x 6" (152 mm x 152 mm) post sleeves are designed to fit over 4x4 pressure-treated post.

### Screws Supplied with RSB

- C1. Wood screw for attachment of RSB to wood post/composite sleeve
- C2. Self-tapping rail screw for attachment of railing to RSB

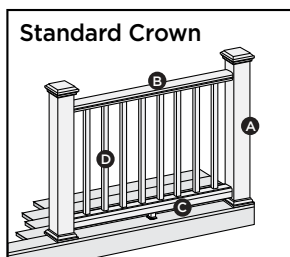


# TREX TRANSCEND® RAILING

## Installation Instructions

### TREX TRANSCEND RAILING CONFIGURATIONS

Note: See specific installation instructions for attachment of Trex Post Mounts or Trex Joist Mount Posts prior to installing any railing.



Cutting post sleeves is **NOT** required.

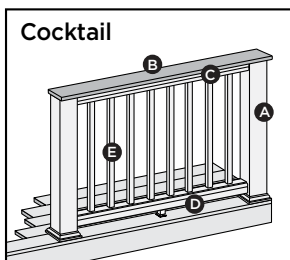
A. Pressure-treated post/Trex post sleeve, Trex post mount/Trex post sleeve\*, or Joist Mount Post/Trex post sleeve\* (INSIDE MOUNT ONLY)

B. Crown rail

C. Universal bottom

D. Trex balusters

See page 3 for "How to Install Standard Railing".



Post sleeves **WILL NEED TO BE CUT**.

A. Pressure-treated post with Trex Transcend post sleeve

**NOTE:** » Only for use with 4" x 4" (102 mm x 102 mm) post sleeve.

» Trex post mounts cannot be used with Transcend cocktail design.

B. Deck board top rail (1 x 6 or 2 x 6). **NOTE:** Contour and Escapes cannot be used.

C. Universal top rail

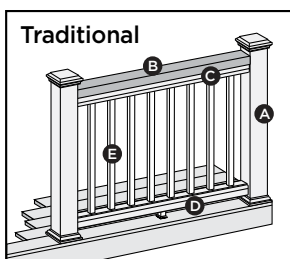
D. Universal bottom

E. Trex balusters

See page 5 for "How to Install Cocktail Railing".

**NOTE:** Additional pan head screws will need to be purchased - see detailed instructions.

**POST  
SLEEVES  
WILL  
NEED TO  
BE CUT**



Cutting post sleeves is **NOT** required.

A. Pressure-treated post/Trex post sleeve, Trex post mount/Trex post sleeve\*, or Joist mount post/Trex post sleeve\* (INSIDE MOUNT ONLY)

B. 2" x 4" (51 mm x 102 mm) lateral top rail

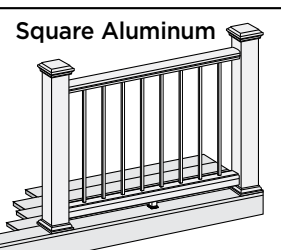
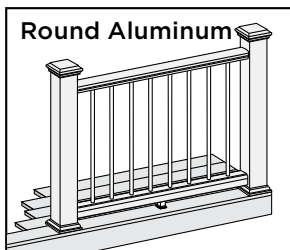
C. Universal top rail

D. Universal bottom

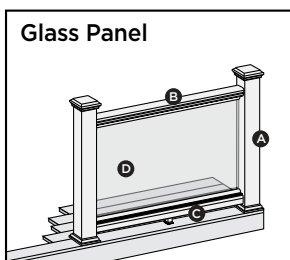
E. Trex balusters

See page 6 for "How to Install Traditional Railing".

**NOTE:** Additional pan head screws will need to be purchased - see detailed instructions.



- » Follow desired railing style instructions found above, substituting correct baluster spacer for type of baluster being used.
- » Refer to detailed instructions for added steps when using round and square aluminum balusters. See page 7.



Cutting post sleeves is **NOT** required.

A. Pressure-treated post/Trex post sleeve, Trex post mount/Trex post sleeve\*\*, or Joist mount post/Trex post sleeve\*\* (INSIDE MOUNT ONLY)

B. Crown rail (use universal rail if building cocktail or traditional design with glass inserts)

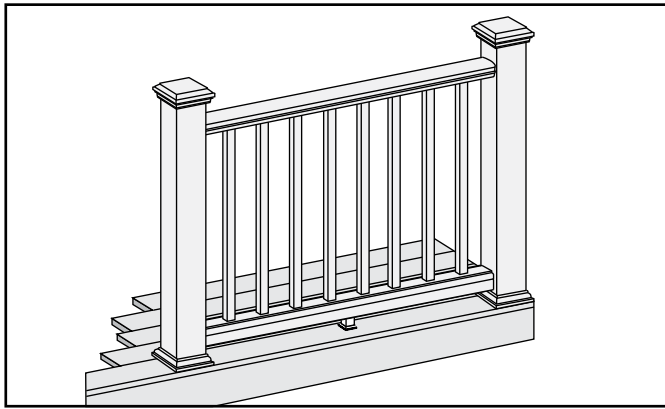
C. Universal bottom

D. Tempered glass panel (**NOT** included in kit)

See page 8 for "How to Install Standard Glass Panel Railing", page 10 for "How to Install Cocktail Style Glass Panel Railing" (\*\*NOTE: Trex Post Mounts or Trex Joist Mount Posts cannot be used with this railing configuration), and page 11 for "How to Install Traditional Style Glass Panel Railing".

**NOTE:** Glass panels are **NOT** recommended in stair applications.

## HOW TO INSTALL STANDARD RAILING TREX TRANSCEND

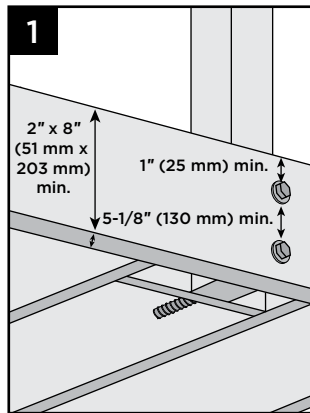


Read all instructions **BEFORE** installation.

**Important:** Post sleeves are **NOT** to be cut for this design style.

### Installing Pressure-Treated Posts

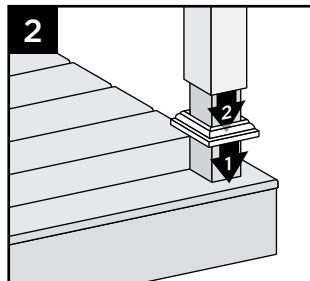
- » Posts are to be installed **6' (1.83 m) or 8' (2.44 m) on center** to accommodate appropriate railing length.
- » Attach posts using 1/2" (130 mm) carriage bolts.
- » Minimum joist size is 2" x 8" (51 mm x 203 mm).
- » Top bolts must be 1" (25 mm) from tops of joists.
- » Bottom bolts must be 5-1/8" (130 mm) from top bolts.
- » Bolts can be countersunk flush with framing to allow for fascia attachment.



**NOTE:** Blocking can be added for extra strength.

### Installing Post Sleeve Skirts and Post Sleeves

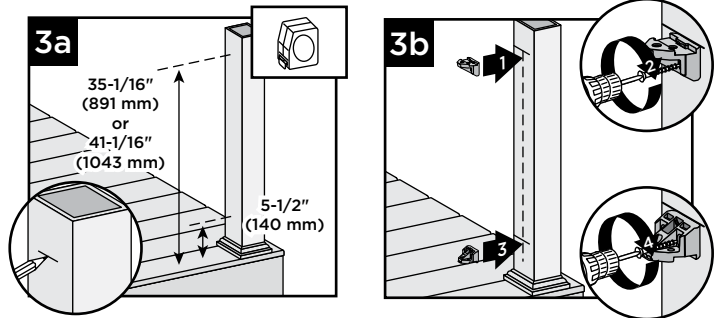
2. Slide post sleeve skirt over post and down to rest on decking surface. Slide post sleeve over post and position inside post sleeve skirt.



**NOTE:** Shims can be used to plumb post sleeves.

### Installing Railing Support Brackets (RSBs)

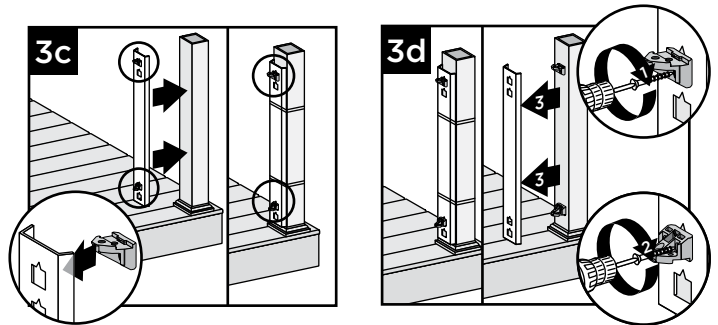
**Option 1:** Without TrexExpress railing template



3a. Mark 5-1/2" (140 mm) and 35-1/16" (891 mm) from deck surface **OR** for 42" (1067 mm) height, mark 5-1/2" (140 mm) and 41-1/16" (1043 mm) from the deck surface.

3b. Place RSBs directly under marks, center on posts, and secure with 2" (51 mm) wood screws (provided with post sleeve). **Place top RSBs flat side up, bottom RSBs flat side down.**

**Option 2:** With TrexExpress railing template



3c. Place RSBs in template. **Place top RSBs flat side UP, bottom RSBs flat side DOWN.** Secure template on post with tape or rubber band, with bottom of template resting on post skirt.

3d. Secure RSBs with 2" (51 mm) wood screws (provided in railing kit) and remove template.

**NOTES:** Special steps are necessary when using 6" x 6" (152 mm x 152 mm) plastic TrexExpress template.

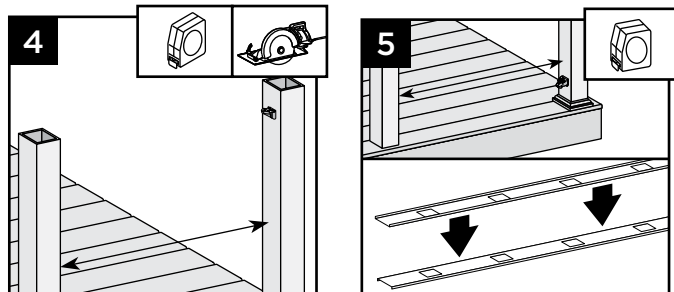
- » Cut off 1/2" (13 mm) from the bottom (blue arrows up) of the tool **BEFORE** first use.
- » Position top RSBs **ONLY**, 6" (152 mm) higher for 42" (1067 mm) rail height.
- » Secure RSBs with 2-1/2" (64 mm) wood screws (provided with post sleeve) and remove template.

# TREX TRANSCEND® RAILING

## Installation Instructions

### HOW TO INSTALL STANDARD RAILING/CONTINUED TREX TRANSCEND

#### Cutting Railings and Baluster Spacers



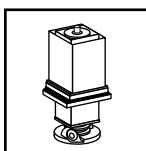
4. Measure between posts and cut rails to length.
5. Cut baluster spacers the same length as rails. Make sure the baluster spacer holes are equally spaced to ensure balusters will line up.

#### NOTES:

- » If using optional rail gaskets, subtract 1/16" (1.6 mm) from each end.
- » Attach baluster spacers to railing before cutting to allow for cleaner cut and less work.
- » When measuring, cut equal lengths from each side of railing and baluster spacer to ensure equal spacing of balusters per each railing section.
- » In some cases, the gasket can be attached before tightening railing to RSB.
- » If gaskets are tight, use a small flat head screwdriver to compress the tabs of the gasket if they are stuck outside the rail.

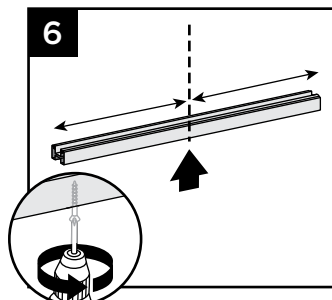
#### IMPORTANT NOTE REGARDING FOOT BLOCK INSTALLATION:

- » One foot block is **REQUIRED** for all railing spans.
- » Refer to detailed instructions (Trex Transcend® rail instructions) included with foot block prior to installation of railing section as these include other required steps for proper installation.



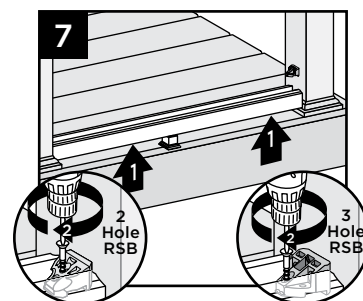
#### Attaching Foot Block to Bottom Rail

6. Invert the bottom rail. Center and drill a hole using a 3/16" drill bit. This will be location for foot block attachment to be installed last.



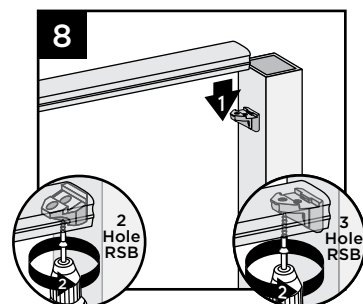
#### Attaching Bottom Rail (Universal Rail)

7. Lift bottom rail so RSBs are in the channel and attach with three self-tapping screws provided (use three outer holes; do not use hole in RSB that is closest to post). If two hole bracket is included, attach with two self-tapping screws (*provided*).



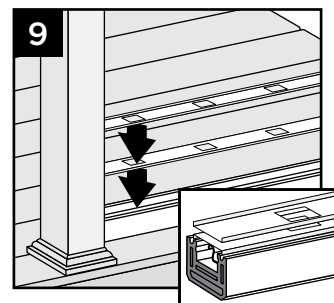
#### Attaching Top Rail - (Crown Rail)

8. Place crown rail on RSBs. Attach top rail to RSB with three self-tapping screws provided (use three outer holes; do not use hole in RSB that is closest to post). If two hole bracket is included, attach with two self-tapping screws (*provided*).



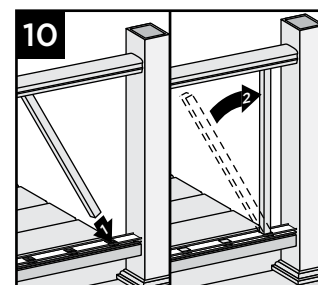
#### Placing Baluster Spacers

9. Snap baluster spacer into bottom rail. Place inverted baluster spacer on top of first baluster spacer.



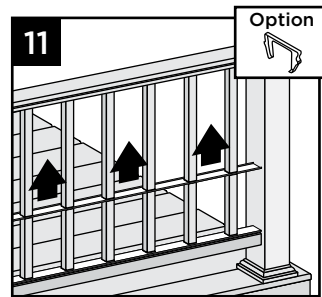
#### Attaching Balusters

10. Place baluster into both baluster spacers, ensuring that balusters are fully seated into the channel. Working at a slight angle, maneuver balusters into top rail. See page 7 if using aluminum round or square balusters for additional information.



## HOW TO INSTALL STANDARD RAILING/CONTINUED TREX TRANSCEND

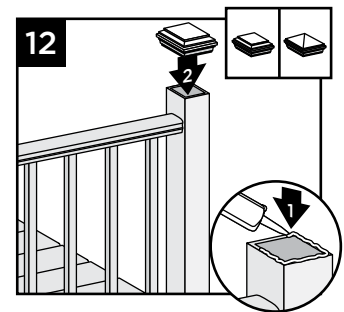
- Slide baluster spacer up and snap into top rail. Place optional top rail gaskets on each end of rail.



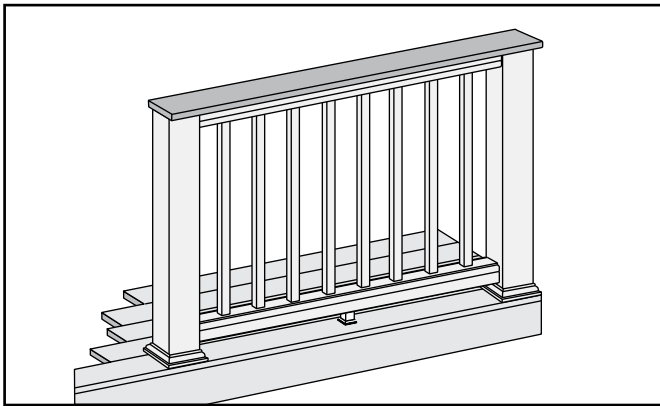
### Attaching Post Caps and Installing Foot Blocks

- Secure post caps with silicone or PVC adhesive. Attach foot block per foot block instructions.

**NOTE:** Clean up any excess adhesive before it dries.



## HOW TO INSTALL COCKTAIL RAILING TREX TRANSCEND

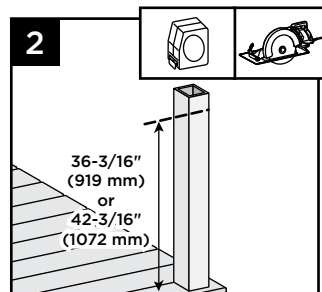


**Important:** ONLY use with 4" x 4" (102 mm x 102 mm) post and post sleeve. Cutting post and post sleeve ONLY applies to the Cocktail style railing.

- Installing Pressure-Treated Posts**  
*See instructions on page 3.*

### Cutting Post and Post Sleeve

- Mark and cut post and post sleeve measuring from deck surface:
  - » 36-3/16" (919 mm) for 36" (914 mm) height.
  - » 42-3/16" (1072 mm) for 42" (1067 mm) height.



- Installing Post Sleeve Skirts and Post Sleeves**  
*See instructions on page 3.*

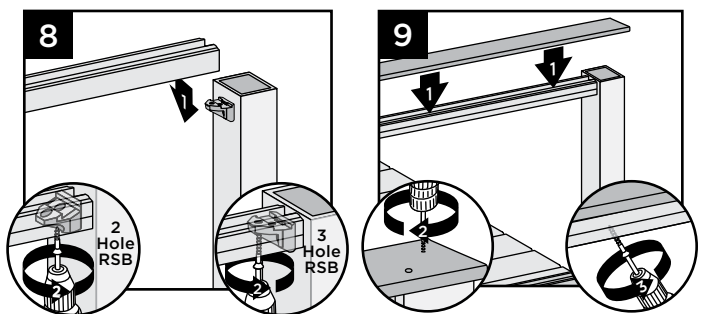
- Installing Railing Support Brackets (RSBs)**  
*See instructions on page 3.*

- Cutting Railings and Baluster Spacers**  
*See instructions on page 4.*

- Attaching Foot Block to Bottom Rail**  
*See instructions on page 4.*

- Attaching Bottom Rail (Universal Rail)**  
*See instructions on page 4.*

### Attaching Inverted Universal Rail as Top Rail



- Place inverted universal rail onto RSBs with balusters in channel. Attach universal rail to RSBs with three self-tapping screws provided (use three outer holes; do not use hole in RSB that is closest to post). If two hole bracket is included, attach with two self-tapping screws (provided).

- Place deck boards over universal rails (**DO NOT** use Escapes deck boards for top rail). Attach boards on each post with Trex-recommended composite screws (quantity of 2 per each board end). Secure boards to universal rails from underside of railing into bottom of decking board, with 2" (51 mm) pan-head screws (*not provided*) at an angle every 16" (406 mm) on center.

# TREX TRANSCEND® RAILING

## Installation Instructions

### HOW TO INSTALL COCKTAIL RAILING/CONTINUED TREX TRANSCEND

#### IMPORTANT NOTES:

- » If using Select decking, **USE** maximum length 1-3/4" (44 mm) screw and **NOT** 2" (51 mm) screw.
- » Screws that are used for attachment of decking board to railing **MUST** be attached at angle to prevent screw from penetrating through the top of decking board.

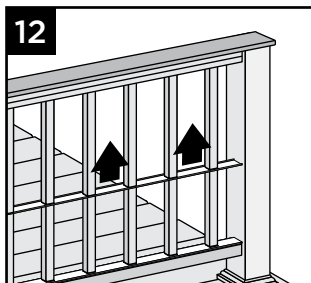
#### 10. Placing Baluster Spacers

See instructions on page 4.

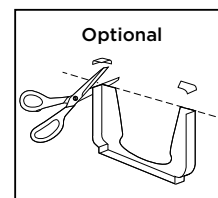
#### 11. Attaching Balusters

See instructions on page 4 for standard balusters or page 7 for aluminum balusters.

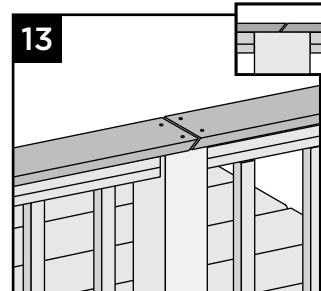
- #### 12. Slide baluster spacers up and snap into universal rails.



**NOTE:** If necessary, cut tips off rail gaskets prior to installation.



- #### 13. Use scarf cut for posts where two deck boards meet.



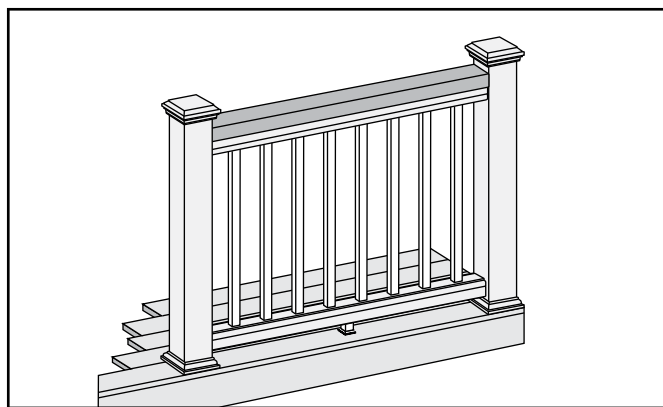
#### 14. Installing Foot Block

Attach foot block per detailed instructions.

#### NOTES:

- » Leave 1/8" (3 mm) gap between deck boards.
- » Deck boards can overhang end of last post a maximum 1/2" (13 mm).

### HOW TO INSTALL TRADITIONAL RAILING TREX TRANSCEND



#### 1. Installing Pressure-Treated Posts

See instructions on page 3.

#### 2. Installing Post Sleeve Skirts and Post Sleeves

See instructions on page 3.

#### 3. Installing Railing Support Brackets (RSBs)

See instructions on page 3.

#### 4. Cutting Railings and Baluster Spacers

See instructions on page 4.

#### 5. Attaching Foot Block to Bottom Rail

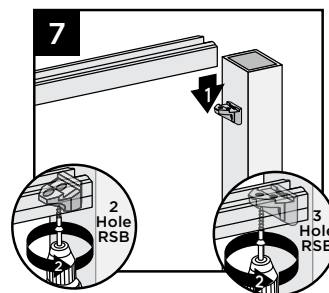
See instructions on page 4.

#### 6. Attaching Bottom Rail (Universal Rail)

See instructions on page 4.

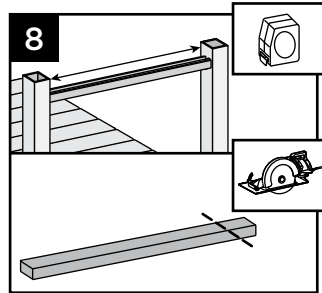
#### Attaching Inverted Universal Rail as Top Rail

- #### 7. Place inverted universal rail onto RSBs with balusters in channel. Attach universal rail with three self-tapping screws provided (use three outer holes; do not use hole in RSB that is closest to post). If two hole bracket is included, attach with two self-tapping screws (provided).

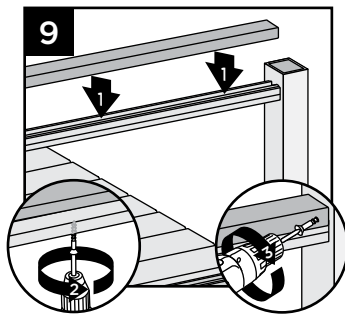


## HOW TO INSTALL TRADITIONAL RAILING/CONTINUED TREX TRANSCEND

8. Measure between posts and cut 2" x 4" (51 mm x 102 mm) to length. Place 2" x 4" (51 mm x 102 mm) on universal rail. Attach board to rail with 2" (51 mm) pan-head screws (*not provided*) every 16" (406 mm) on center.



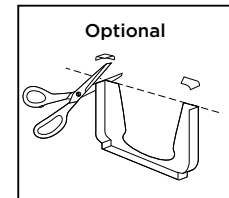
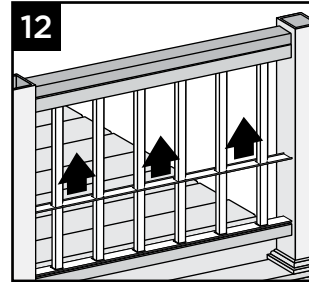
9. Pre-drill a pilot hole and toenail 2-1/2" (64 mm) composite decking screw (not provided) at each end of 2" x 4" (51 mm x 102 mm) into post on back side of rail (side not facing decking).



10. **Placing Baluster Spacers**  
*See instructions on page 4.*

### 11. Attaching Balusters

*See instructions (page 4) for standard balusters or instructions below for aluminum balusters.*



12. Slide baluster spacer up and snap into universal rail.

**NOTE:** *If necessary, cut tips off rail gaskets prior to installation.*

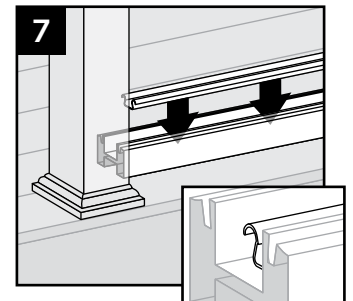
13. **Attaching Post Caps and Installing Foot Block**  
*Attach foot block per detailed instructions.*

## HOW TO INSTALL ROUND OR SQUARE ALUMINUM BALUSTERS TREX TRANSCEND

1. **Installing Pressure-Treated Posts**  
*See instructions on page 3.*
2. **Installing Post Sleeve Skirts and Post Sleeves**  
*See instructions on page 3.*
3. **Installing Railing Support Brackets (RSBs)**  
*See instructions on page 3.*
4. **Cutting Railings and Baluster Spacers**  
*See instructions on page 4.*
5. **Attaching Foot Block to Bottom Rail**  
*See instructions on page 4.*
6. **Attaching Bottom Rail (Universal Rail)**  
*See instructions on page 4.*

### Installing Lower Aluminum Baluster Adaptor Strip

7. After bottom rail is fully installed, place aluminum baluster adaptor strip into channel of bottom rail, ensuring that it's fully seated into the channel. When rail lengths are non-standard, the baluster adaptor strip will need to be cut 2-1/2" (64 mm) shorter than the rail to allow clearance for the RSBs on each end.



# TREX TRANSCEND® RAILING

## Installation Instructions

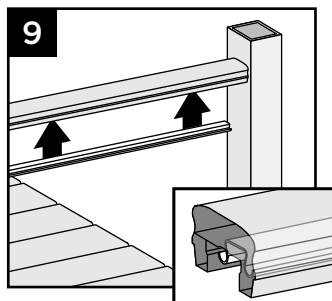
### HOW TO INSTALL ROUND OR SQUARE ALUMINUM BALUSTERS/*CONTINUED* TREX TRANSCEND

#### 8. Attaching Top Rail

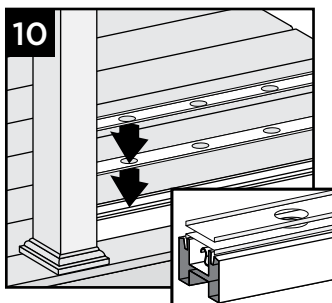
See specific instructions based on top rail of choice.

#### Installing Upper Aluminum Baluster Adaptor Strip, and Baluster Spacers

9. After top rail is fully installed, place aluminum baluster adaptor strip into channel of top rail, ensuring that it's fully seated into the channel.

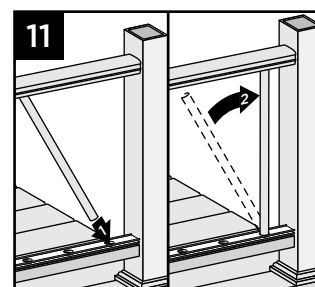


10. Snap baluster spacer into bottom rail. Place inverted baluster spacer on top of first baluster spacer.



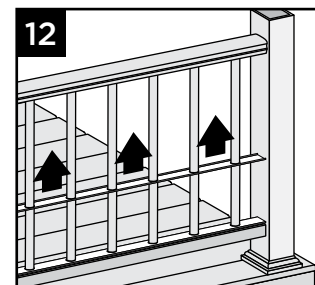
#### 11. Attaching Balusters

Working at a slight angle, press baluster through both baluster spacers and into bottom aluminum baluster adaptor strip, ensuring balusters are tight. Once balusters are seated into aluminum baluster adaptor strip of bottom rail, maneuver baluster into upper rail aluminum baluster adaptor strip. Some force will be needed to press balusters into place and level them.

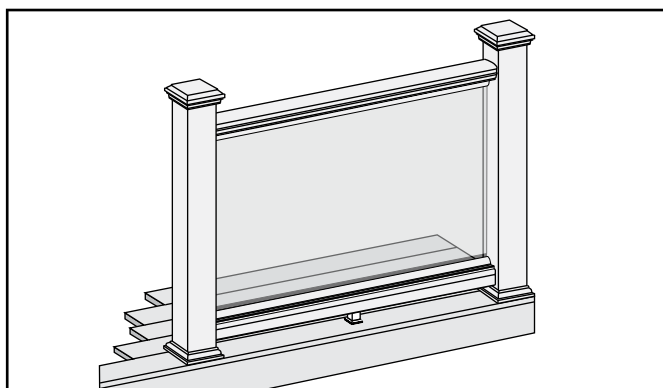


**Tip:** Ensure balusters are level prior to attempting to slide baluster spacer up. This will allow for the baluster spacer to move up freely and snap into upper rail. Use of a rubber mallet to gently tap balusters in level is recommended.

12. Slide baluster spacer up and snap into top rail. Place optional top rail gaskets on each end of rail.



### HOW TO INSTALL STANDARD GLASS PANEL RAILING TREX TRANSCEND



**Notes: Read all instructions BEFORE installation.**

- » You must purchase the 1/4" (6 mm) tempered glass panels. See dimensions below.
- » Glass panels **ONLY** for use with maximum 6' (1.83 m) on center post spacing.
- » **NOT** recommended for stair applications.



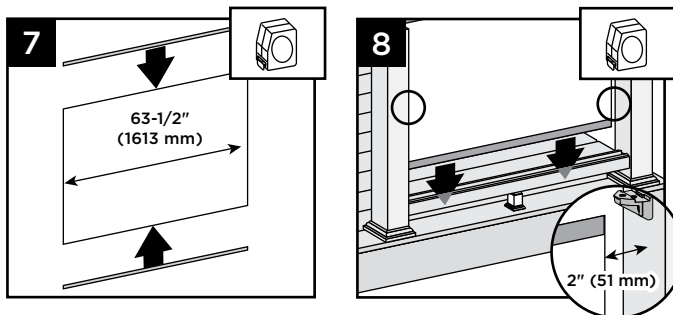
## HOW TO INSTALL STANDARD GLASS PANEL RAILING/CONTINUED TREX TRANSCEND

### TEMPERED GLASS PANEL DIMENSIONS

- » **36" (914 mm) high rail:**  
1/4" x 30" x 63-1/2" max.  
(6 mm x 762 mm x 1613 mm)
- » **42" (1067 mm) high rail:**  
1/4" x 36" x 63-1/2" max.  
(6 mm x 914 mm x 1613 mm)

1. **Installing Pressure-Treated Posts**  
*See instructions on page 3.*
2. **Installing Post Sleeve Skirts and Post Sleeves**  
*See instructions on page 3.*
3. **Installing Railing Support Brackets (RSBs)**  
*See instructions on page 3.*
4. **Cutting Block to Bottom Rail**  
*See instructions on page 4.*
5. **Attaching Foot Block to Bottom Rail**  
*See instructions on page 4.*
6. **Attaching Bottom Rail (Universal Rail)**  
*See instructions on page 4.*

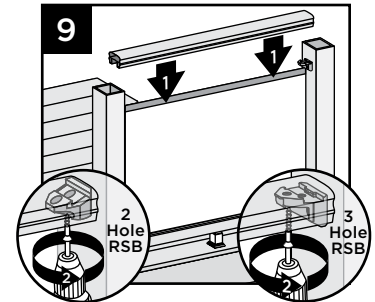
### Attaching Weather-stripping and Positioning Panel



7. Push black-edged trim onto upper and lower edges of panel. Be sure trim runs entire length of glass. Extra trim can be cut with razor blade or scissors.
8. Position panel with weather-stripping into lower rail channel. Center panel between posts with about 2" (51 mm) of air space on each side of panel.

### Attaching Top (Crown) Rail

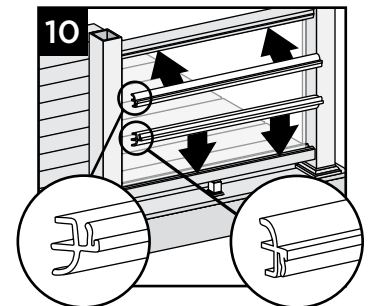
9. Place top rail over RSB brackets and glass panel. Attach top rail to RSB with three self-tapping screws provided (use three outer holes; do not use hole in RSB that is closest to post). If two hole bracket is included, attach with two self-tapping screws (provided).



**NOTE:** Avoid hitting glass panel while using the drill.

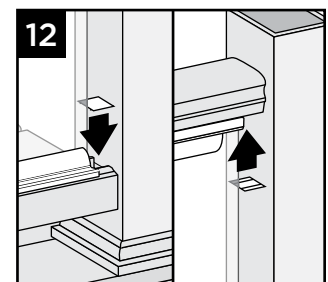
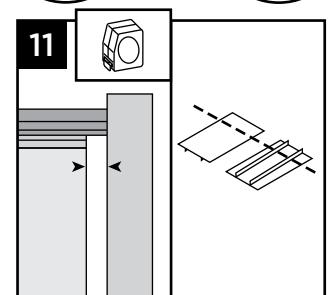
### Attaching Panel Support Molding

10. Push PSM into rail to complete snap connection. Lower rail PSM edge rests on top of rail. Top rail PSM snaps flush into rail.



### Hiding Brackets

11. Cut Transcend baluster spacer into four lengths equal to distance between the glass panel and posts. Cut slowly and one at a time to avoid chipping.
12. Snap spacer into bottom and top rail to hide brackets and create a seamless look.

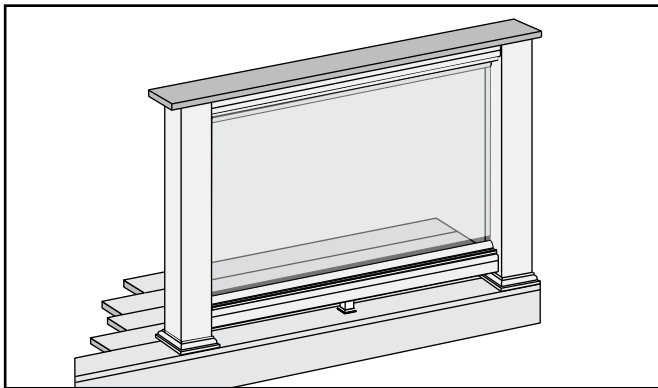


13. **Attaching Post Caps and Installing Foot Blocks**  
*See instructions on page 5 and detailed foot block instructions.*

# TREX TRANSCEND® RAILING

## Installation Instructions

### HOW TO INSTALL COCKTAIL STYLE GLASS PANEL RAILING TREX TRANSCEND



**NOTES: Read all instructions BEFORE installation.**

- » You must purchase the 1/4" (6 mm) tempered glass panels. See dimensions at below.
- » Glass panels **ONLY** for use with maximum 6' (1.83 m) on center post spacing.
- » Not recommended for stair applications.
- » Trex post mounts cannot be used for this application.

#### TEMPERED GLASS PANEL DIMENSIONS

- » **36" (914 mm) high rail:**  
1/4" x 30" x 63-1/2" max.  
(6 mm x 762 mm x 1613 mm)
- » **42" (1067 mm) high rail:**  
1/4" x 36" x 63-1/2" max.  
(6 mm x 914 mm x 1613 mm)

#### 1. Installing Pressure-Treated Posts

See instructions on page 3.

**NOTE:** If installing glass with cocktail rail design, rail posts and post sleeves must be cut.

#### 2. Cutting Post and Post Sleeve

See instructions on page 3.

#### 3. Installing Post Sleeve Skirts and Post Sleeves

See instructions on page 3.

#### 4. Installing Railing Support Brackets (RSBs)

See instructions on page 3.

#### 5. Cutting Block to Bottom Rail

See instructions on page 4.

#### 6. Attaching Foot Block to Bottom Rail

See instructions on page 4.

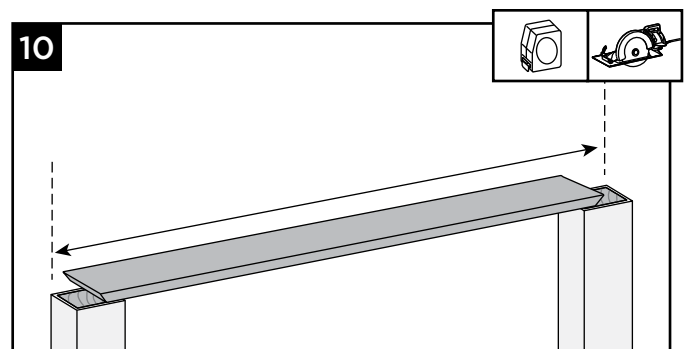
#### 7. Attaching Bottom Rail (Universal Rail)

See instructions on page 4.

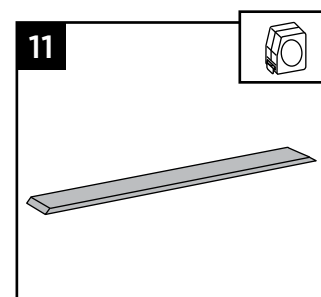
#### 8-9. Attaching Weatherstripping and Positioning Panel

See instructions on page 9.

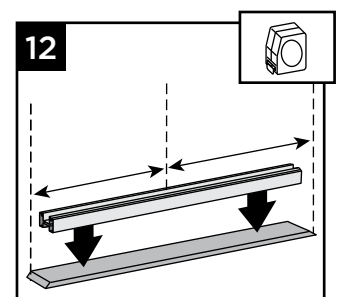
#### Attaching Top Rail



10. Cut deck boards to appropriate length of railing span, remembering to include extra space on each side of the deck board to allow for attachment to the post. Decking boards must cover 1/2 of the pressure-treated post to allow this to be fastened later. If you include extra decking material on each side, this can be cut off later if necessary.



11. Place inverted deck board (place top side of deck board down) on clean, flat surface. (**DO NOT** use Escapes deck boards for top rail.)

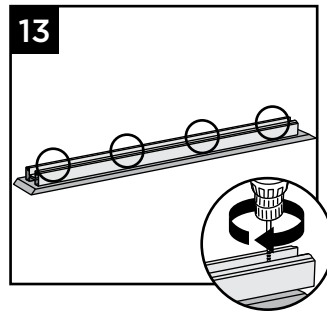


12. Place universal rail (orient this properly so when flipped over, the universal rail will accept the baluster spacer and balusters), on the deck board, centered in both directions to allow final attachment to post.

10

## HOW TO ATTACH COCKTAIL STYLE GLASS PANEL RAILING/CONTINUED TREX TRANSCEND

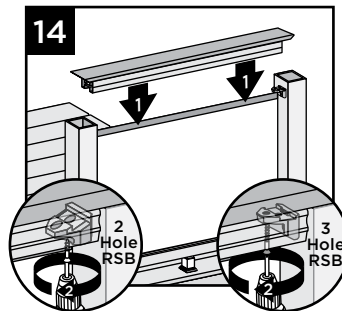
13. Secure deck board to universal rail with 2" (51 mm) pan head screws (not provided) approximately every 16" (406 mm) on center at an angle. (DO NOT overtighten. Attach from underside of railing into bottom of decking board.)



### Important notes:

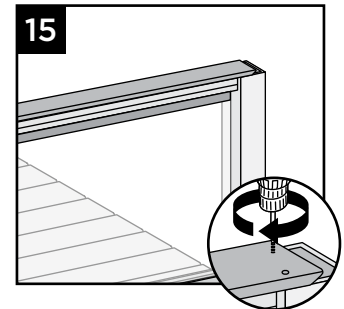
- » If using Select decking, **USE** maximum length 1-3/4" (45 mm) screw and **NOT** 2" (51 mm) screw.
- » Screws that are used for attachment of decking board to railing **MUST** be attached at an angle to prevent screw from penetrating through top of decking board.

14. Place inverted universal rail with deck board attached onto RSB's with glass panel in the channel. Attach universal rail to RSB's with three self-tapping screws provided (use three outer holes; do



not use hole in RSB that is closest to post). If two hole bracket is included, attach with two self-tapping screws (provided).

15. Attach deck board to post (ensure that screws are attached to wood post) with Trex recommended composite screws (quantity of 2 per each board end).



16. **Attaching Panel Support Moldings**

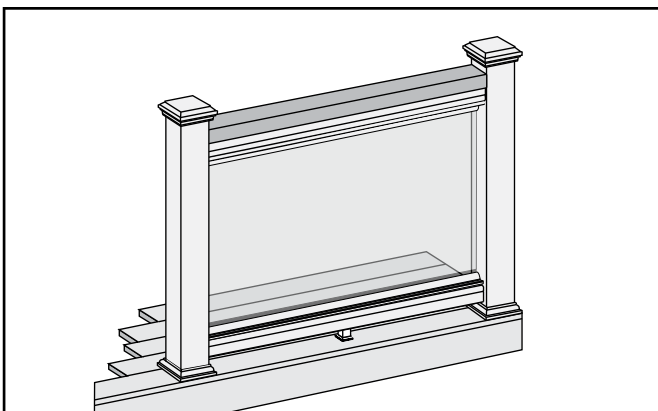
See instructions on page 9.

- 17-18. **Hiding Brackets** See instructions on page 9.

19. **Installing Foot Block**

Attach foot block per detailed instructions.

## HOW TO ATTACH TRADITIONAL STYLE GLASS PANEL RAILING TREX TRANSCEND



### NOTES: Read all instructions BEFORE installation.

- » You must purchase the 1/4" (6 mm) tempered glass panels. See dimensions below.
- » Glass panels **ONLY** for use with maximum 6' (1.83 m) on center post spacing.
- » **NOT** recommended for stair applications.

### TEMPERED GLASS PANEL DIMENSIONS

- » **36" (914 mm) high rail:**  
1/4" x 30" x 63-1/2" max.  
(6 mm x 762 mm x 1613 mm)
- » **42" (1067 mm) high rail:**  
1/4" x 36" x 63-1/2" max.  
(6 mm x 914 mm x 1613 mm)

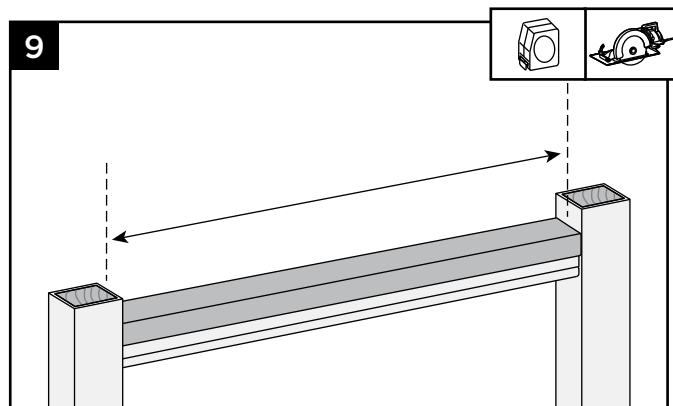
# TREX TRANSCEND® RAILING

## Installation Instructions

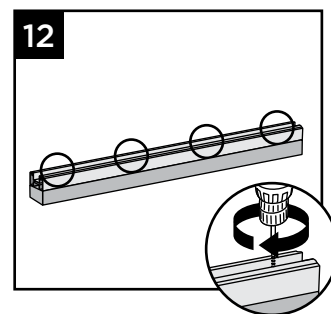
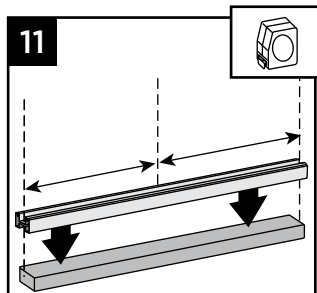
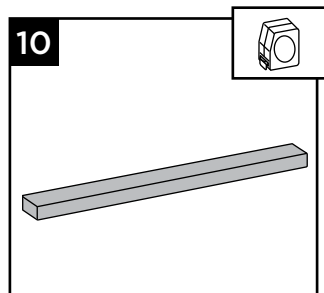
### HOW TO ATTACH TRADITIONAL STYLE GLASS PANEL RAILING/CONTINUED TREX TRANSCEND

1. **Installing Pressure-Treated Posts**  
*See instructions on page 3.*
2. **Installing Post Sleeve Skirts and Post Sleeves**  
*See instructions on page 3.*
3. **Installing Railing Support Brackets (RSBs)**  
*See instructions on page 3.*
4. **Cutting Block to Bottom Rail**  
*See instructions on page 4.*
5. **Attaching Foot Block to Bottom Rail**  
*See instructions on page 4.*
6. **Attaching Bottom Rail (Universal Rail)**  
*See instructions on page 4.*
- 7-8. **Attaching Weatherstripping and Positioning Panel**  
*See instructions on page 9.*

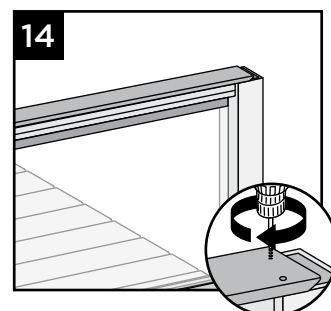
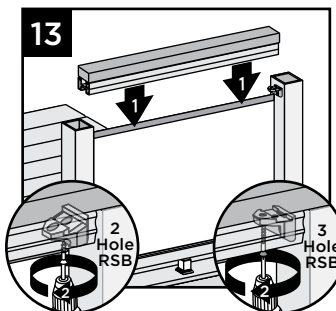
#### Attaching Top Rail



9. Cut 2" x 4" (51 mm x 102 mm) to same length of the inverted Universal rail.
10. Place inverted 2" x 4" (51 mm x 102 mm) on clean, flat surface (place top side down).



11. Place universal rail (remembering to orient this properly so that when flipped over, the universal rail will accept the baluster spacer and balusters), on the 2" x 4" (51 mm x 102 mm), centered.
12. Secure 2" x 4" (51 mm x 102 mm) to universal rail with 2" (51 mm) pan head screws (*not provided*) approximately every 16" (406 mm) on center.



13. Place inverted universal rail with 2" x 4" (51 mm x 102 mm) attached onto RSB's with glass panel in the channel. Attach universal rail to RSB's with three self-tapping screws provided (use three outer holes; do not use hole in RSB that is closest to post). If two hole bracket is included, attach with two self-tapping screws (provided).
14. Pre-drill a pilot hole and toenail 2-1/2" (64 mm) composite deck screw (*not provided*) at each end of the 2" x 4" (51 mm x 102 mm) into post on back side (side not facing decking).

15. **Attaching Panel Support Moldings**  
*See instructions on page 9.*

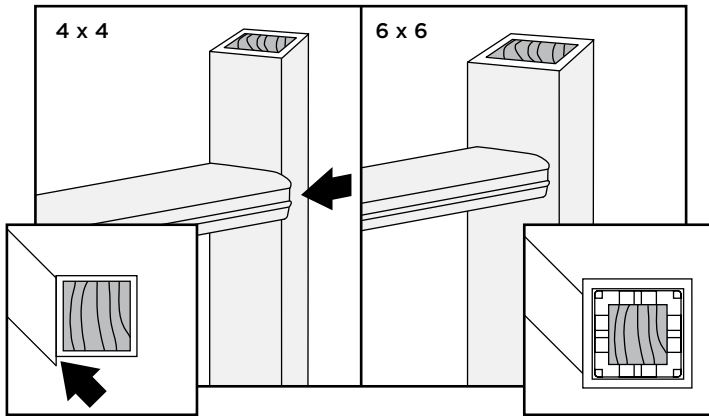
- 16-17. **Hiding Brackets**  
*See instructions on page 9.*

18. **Attaching Post Caps and Installing Foot Block**  
*See instructions on page 5 and detailed foot block instructions.*

12

## HOW TO INSTALL ON-AN-ANGLE RAILING TREX TRANSCEND (CROWN AND UNIVERSAL RAILING)

**NOTE:** Trex railing brackets are designed to be installed up to a 45° angle.



- » **Small angles** (1° - 30°). Both 4" x 4" (102 mm x 102 mm) or 6" x 6" (152 mm x 152 mm) post sleeves work well.
- » **Large angles** (31° - 45°). **Use only 6" x 6"** (152 mm x 152 mm) post sleeves when installing on flat side.
- » **45° angles** using 4" x 4" (102 mm x 102 mm) post sleeves **must** use Transcend Bird's Mouth brackets.
- » Using 6" x 6" (152 mm x 152 mm) post sleeves at 45° angles. Brackets are installed off-center and use 45° Transcend gaskets.
- » Railing gaskets are designed to fit at 0°, 22.5°, and 45° angles. Gaskets are labeled with appropriate angle dimension.

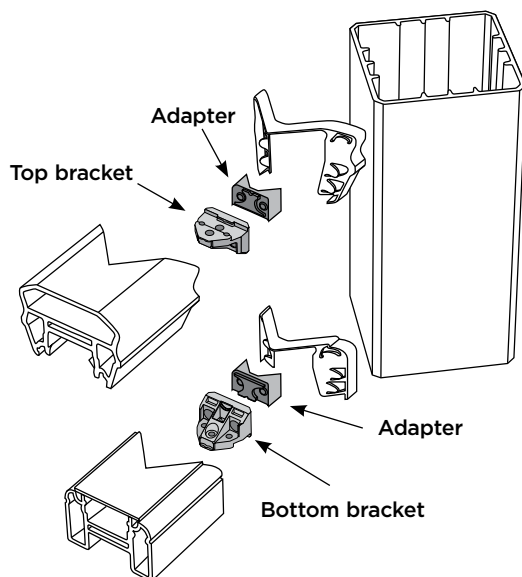
## HOW TO INSTALL CROWN AND UNIVERSAL BIRD'S MOUTH RAILING TREX TRANSCEND®

**NOTES:**

- » Use with 4" x 4" (102 mm x 102 mm) post sleeve **ONLY**.
- » Gaskets are only designed for use with Transcend crown and universal railing.

Read all instructions **BEFORE** installation.

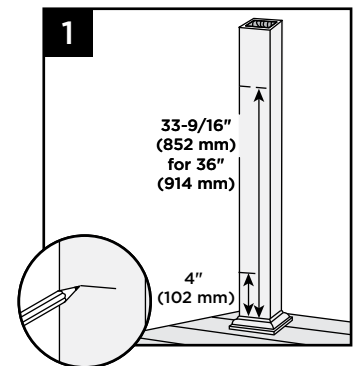
**PARTS**



**Mark Posts**

1. Measure and mark 4" (102 mm) and 33-9/16" (852 mm) up from top of post skirt.

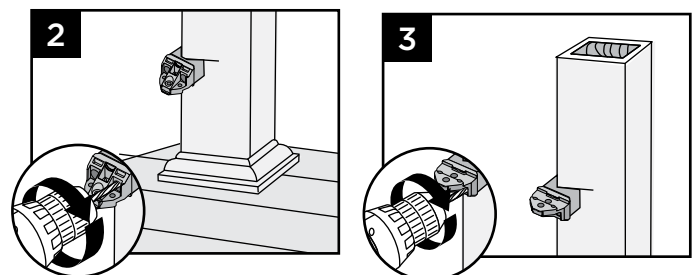
**NOTE:** Without skirt, add 1-1/2" (38 mm) to measurements.



**Attaching Adapters**

Snap adapters into RSBs.

**Pre-drill Bottom and Top RSBs**



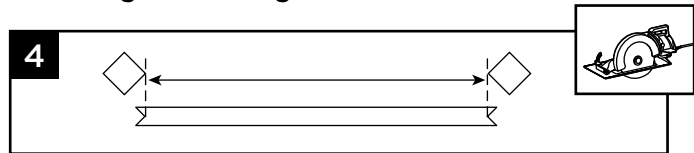
2. Position RSBs with adapter (flat side DOWN) for lower rail, mark and pre-drill screw holes with 1/8" (3 mm) drill bit on post.
3. Position RSBs with adapter (flat side UP) for top rail, mark and pre-drill screw holes with 1/8" (3 mm) drill bit on post.

# TREX TRANSCEND® RAILING

## Installation Instructions

### HOW TO INSTALL CROWN AND UNIVERSAL BIRD'S MOUTH RAILING/CONTINUED TREX TRANSCEND®

#### Measuring and Cutting Rails

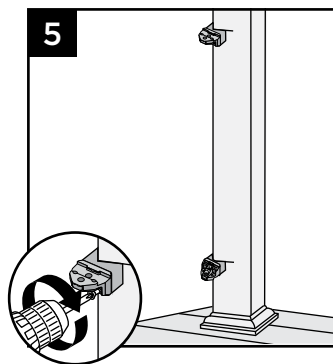


4. Measure from corner-to-corner between posts. Mark 45° cuts on rails with template on assembly tool. Center of "V's" is the distance from corner-to-corner for posts.

**NOTE:** Subtract 1/16" (1.6 mm) from each end to accommodate rail gaskets.

#### Attaching Top and Bottom RSBs

5. Attach RSBs with adapters to posts with wood screws (provided).

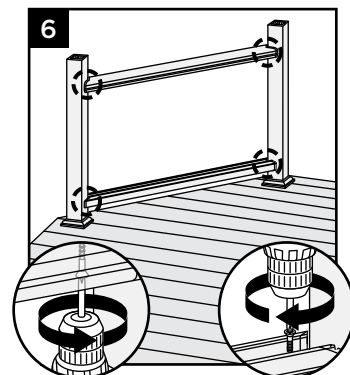


#### NOTES:

- » Drill at slight inward angle to drill holes on marks.
- » Lay cut lower rail into position on decking surface between the posts before attaching the lower RSB. There may be some difficulty attaching the lower rail if you fail to do this.

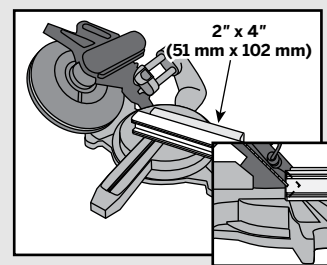
#### Installing Railings to RSB's

6. Attach with self-tapping screws (provided).



#### Using Miter Box Saw to Cut Rails

1. Place 2" x 4" (51 mm x 102 mm) on edge behind the rail to allow for complete cut.
2. Angle blade to 45°.
3. Set stop on saw so blade travels half the depth of rails. Several test cuts can be made on scrap material to accurately set the stop.
4. "V" cut both sides of the rail.



**NOTE:** Transcend's crown and universal rails will require different stop settings.

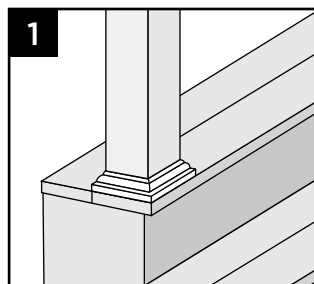
### HOW TO INSTALL CROWN AND UNIVERSAL STAIR RAILING TREX TRANSCEND®

Read all instructions BEFORE installation.

**NOTE:** All Transcend railings and gaskets **ONLY** work with stair slopes of 32°-37°.

#### Installing Posts, Post Sleeve Skirts, and Post Sleeves for Stair Rails

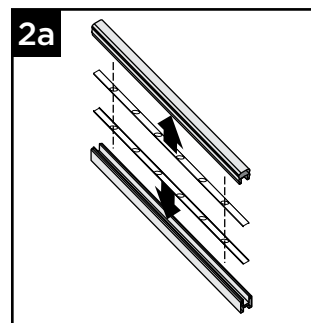
1. Install posts, post sleeve skirts, and post sleeves according to standard Transcend railing instructions. See page 3.



- » In most cases, a post and post sleeve longer than 39" (991 mm) will be needed on the lower section of stair rail to accommodate stair angle.
- » Make sure top and bottom posts for stairs are installed at nose of each tread.

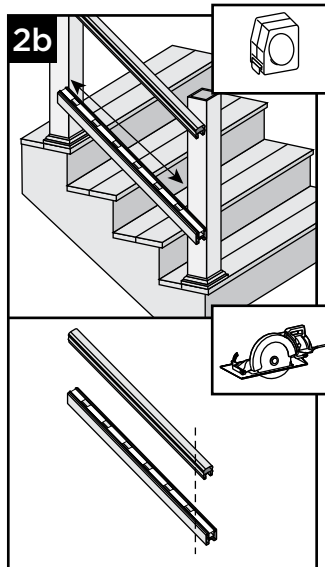
#### Measuring and Cutting Railings

- 2a. Snap baluster spacers into top and bottom railings, ensuring the baluster spacer holes line up parallel.



## HOW TO INSTALL CROWN AND UNIVERSAL STAIR RAILING/CONTINUED TREX TRANSCEND®

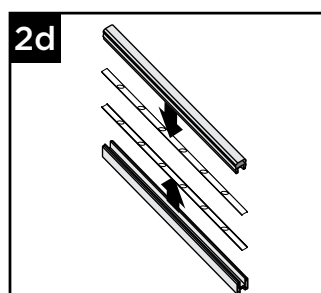
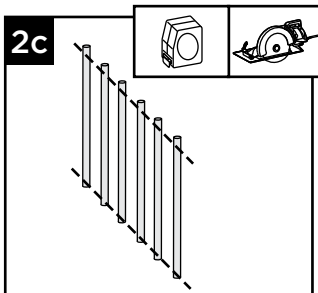
2b. Set bottom and top rail along the nose of the stair treads, ensuring baluster holes are placed evenly. Also allow for a minimum of 1-1/2" at each end of rail for bracket placement and baluster clearance. Cut rails on marks.



### NOTES:

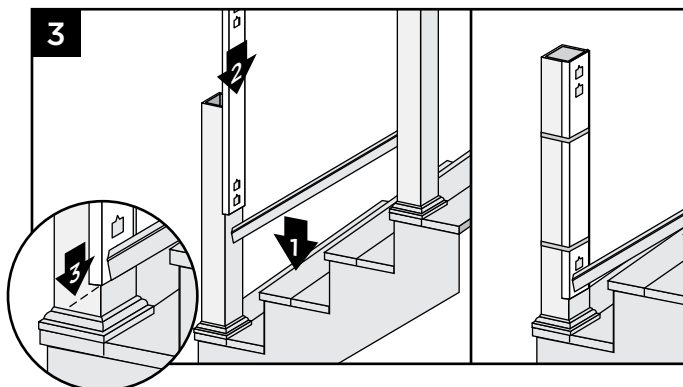
- » If using railing gaskets, subtract 1/16" (1.6 mm) maximum, from each end and cut.
- » CUT VERY CAREFULLY TO NOT BREAK BALUSTER SPACERS.

### Cutting Balusters on Angle (OPTIONAL)



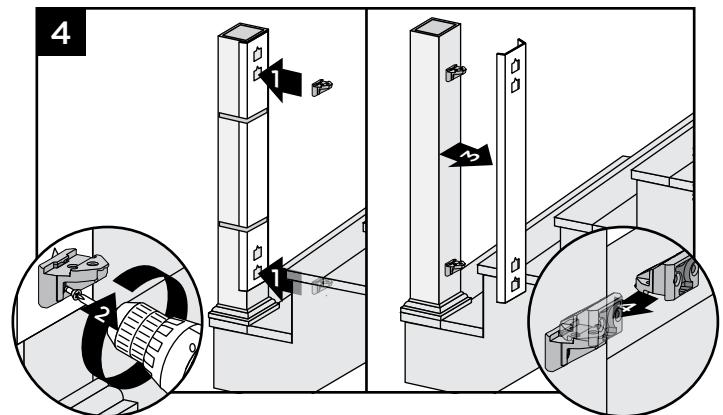
2c. In order for balusters to seat properly (depending on the angle of the stair railing), the balusters may need to be trimmed to match the angle of the bottom and top railing.  
2d. Carefully remove baluster spacers from rails.

### Positioning RSBs on BOTTOM Post



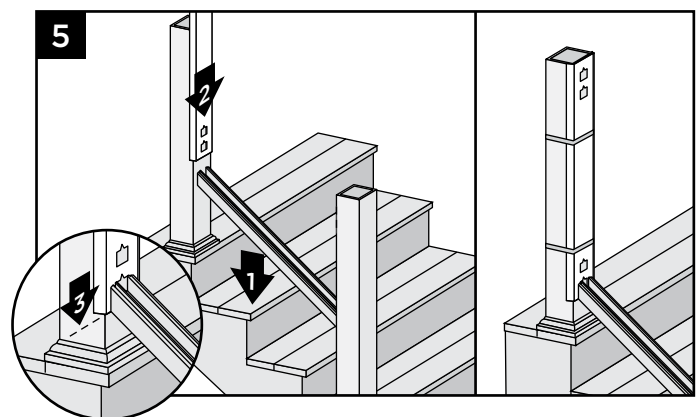
3. Position bottom rail between posts and slide TrexExpress™ railing assembly template into position with bottom rail outline on template aligned with end of bottom rail. Allow a minimum clearance of 1" (25 mm) from stair tread. Secure template with rubber bands. Remove rail.

### Attaching RSBs to BOTTOM Post



4. Attach upper and lower RSBs to bottom post, flat side UP, with wood screws provided. Remove template and place a second RSB, turned upside down, and interlock on each bracket.

### Positioning RSBs on UPPER Post



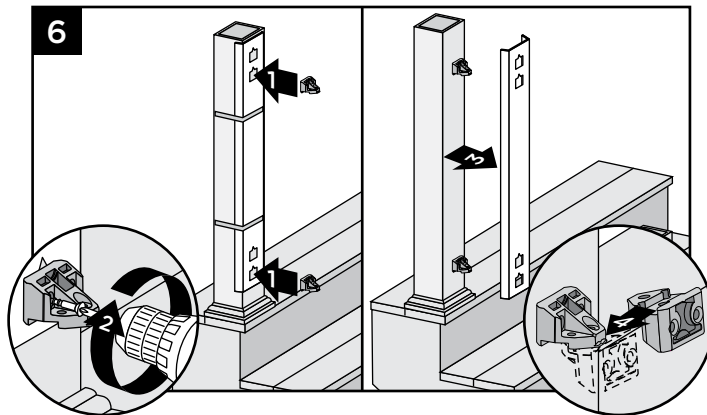
5. Position pre-cut bottom rail between posts. Slide TrexExpress™ railing assembly template into position, aligning bottom rail outline on template with end of bottom rail. Use rubber bands to hold template in place. Remove rail.

# TREX TRANSCEND® RAILING

## Installation Instructions

### HOW TO INSTALL CROWN AND UNIVERSAL STAIR RAILING/CONTINUED TREX TRANSCEND®

#### Attaching RSBs to UPPER Posts



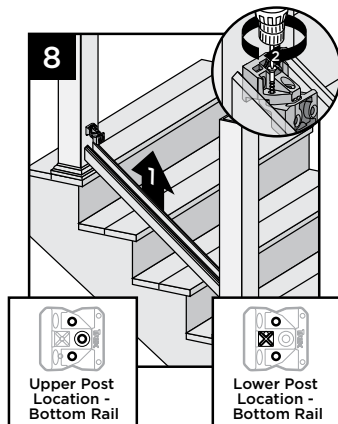
6. Attach upper and lower RSBs to top post, **flat side DOWN**. Remove template. Take second RSB, turn upside down and interlock into each bracket.

#### Attaching Foot Block to Bottom Rail

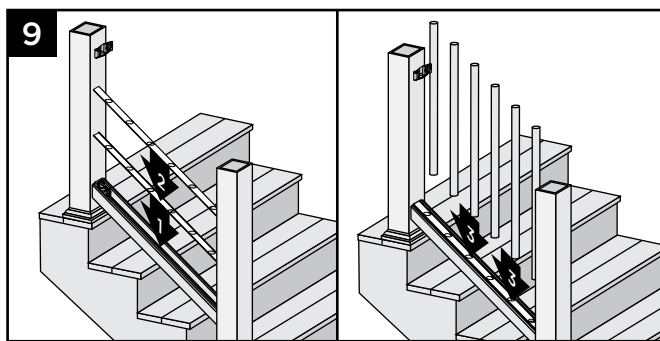
7. See detailed instructions included with foot block.

#### Attaching Bottom Rail (Universal Rail)

8. Lift bottom rail so RSBs are in the channel and attach with 3 self-tapping screws (provided). Use the three outer holes in RSB to attach screws.



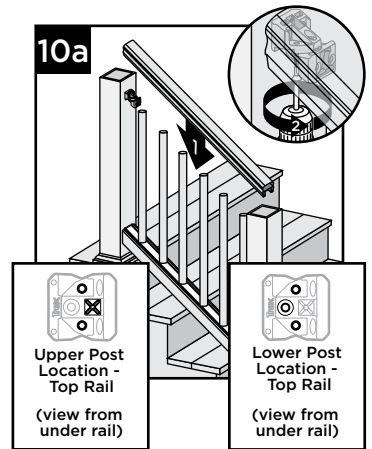
#### Placing Baluster Spacers and Balusters



9. Snap baluster spacer into bottom rail. Place inverted baluster spacer on top of first baluster spacer making sure that holes line up parallel. Place balusters in baluster spacer holes.

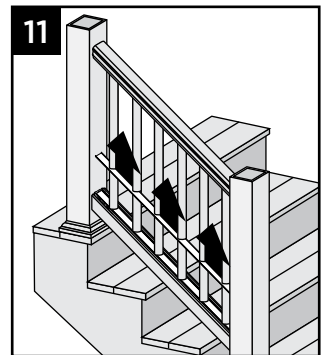
#### Attaching Top Rail

- 10a. Place top rail of choice (Crown rail shown here) on RSBs in rail channel and attach with 3 self-tapping screws (provided). Use the three outer holes in RSB to attach screws.



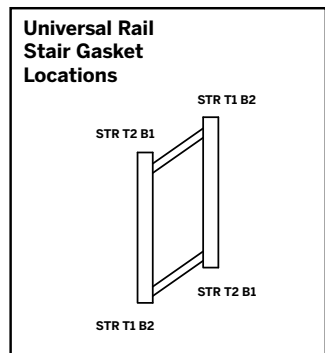
- 10b. If installing a different railing configuration other than Crown Railing, refer to other Railing Configurations in Horizontal sections for additional requirements.

11. Slide baluster spacer up and snap into top rail.



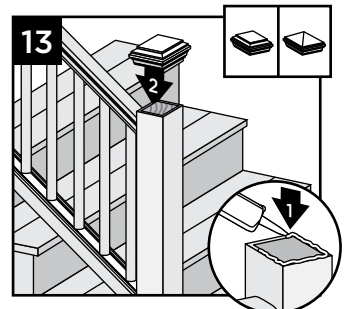
#### Attaching Optional Gaskets

12. Stair railing gaskets are designed to fit at slopes of 32° to 37°. Gaskets are labeled in order to ensure correct location.



#### Attaching Post Caps and Installing Foot Block

13. Secure post caps with silicone or PVC adhesive. Attach foot block per foot block instructions.



**NOTE:** Clean-up any excess adhesive before it dries.

16