

How To Guide:

Trex® Seclusions®

COMPOSITE FENCING SYSTEM



Fence & Deck Supply

FenceAndDeckSupply.com

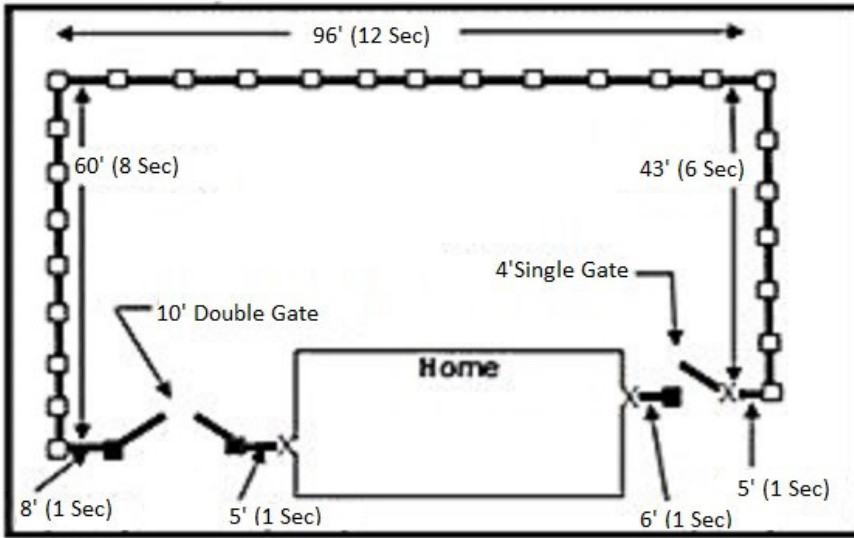
How To Guide:

Trex® Seclusions®

COMPOSITE FENCING SYSTEM

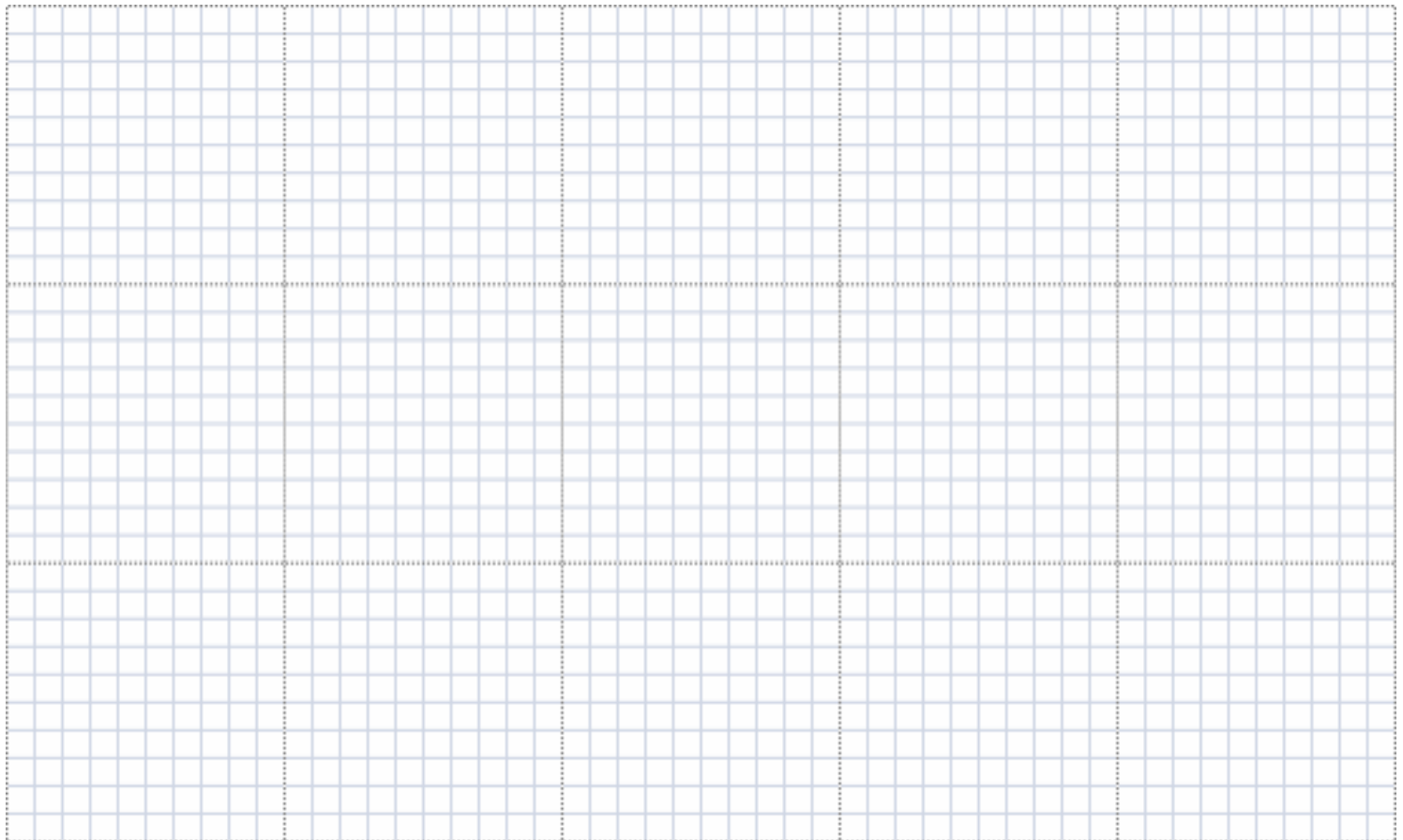
Plan Your Fence

Sample Fence Sketch and Measurements



- line post
- starting post
- X terminal post

Figure the number of sections for each line by dividing the length of each line in inches by 96. Round any remainder up.



How To Guide:

Trex® Seclusions®

COMPOSITE FENCING SYSTEM

Calculate Materials

The material calculations on this form are intended for rough estimation based on 8' section. Actual numbers may vary.

# of Sections (Divide each line by 96" and round up; add total # of sections):		Trex Seclusions		# of Terminal Posts		
Items Needed (Per 8' Section)		Multiplier	Sections Material	Qty. For Gates		Total Materials
Material	Quantity			Single	Double	
Top Cap Rail	1	x # _____ sections		n/a	n/a	
6' Pickets	19	x # _____ sections		n/a	n/a	
Bottom Rail	2	x # _____ sections		n/a	n/a	
Steel Bottom Rail	1	x # _____ sections		n/a	n/a	
9' Trex Post	1	x # _____ sections + # _____ terminal posts		n/a	n/a	
Post Caps	1	x # _____ posts		n/a	n/a	
80 lbs Bag Concrete	2	x # _____ posts		n/a	n/a	
Trex brackets/fasteners	4	x # _____ sections		n/a	n/a	
Steel post insert	<i>based on # of hinge posts</i>					
# of Single Gate(s)			Single Gate Hardware Kit(s)			
# of Double Gate(s)			Double Gate Hardware Kit(s)			

* For standard single gates (46 1/4" opening): (1) small Trex gate panel, (1) steel post insert, and (1) Trex single gate hardware kit.

* For standard double gates (130 3/4" opening): (2) large Trex gate panels, (2) steel gate post inserts, and (1) Trex double gate hardware kit.

Tools Needed

- | | |
|-------------------------------------------|-----------------------------------------------------|
| <input type="checkbox"/> Stakes | <input type="checkbox"/> Circular Saw |
| <input type="checkbox"/> String Line | <input type="checkbox"/> Drill |
| <input type="checkbox"/> Marking Paint | <input type="checkbox"/> Pencil |
| <input type="checkbox"/> Hammer | <input type="checkbox"/> Wheelbarrow |
| <input type="checkbox"/> Tape Measure | <input type="checkbox"/> 4' Level |
| <input type="checkbox"/> Shovel | <input type="checkbox"/> 12" Miter Saw |
| <input type="checkbox"/> Post Hole Digger | <input type="checkbox"/> Speed Square |
| <input type="checkbox"/> Digging Bar | <input type="checkbox"/> Finish Nail gun (optional) |

Before you begin

Confirm location of underground utilities with local providers before you dig.

Check local HOA and zoning laws which may regulate the height and placement of your fence.

Apply for local permits as directed by local code.

Wear proper safety protection for eyes and ears.

For a step by step installation video, visit:

<https://www.yournextfence.com/seclusions/installation>

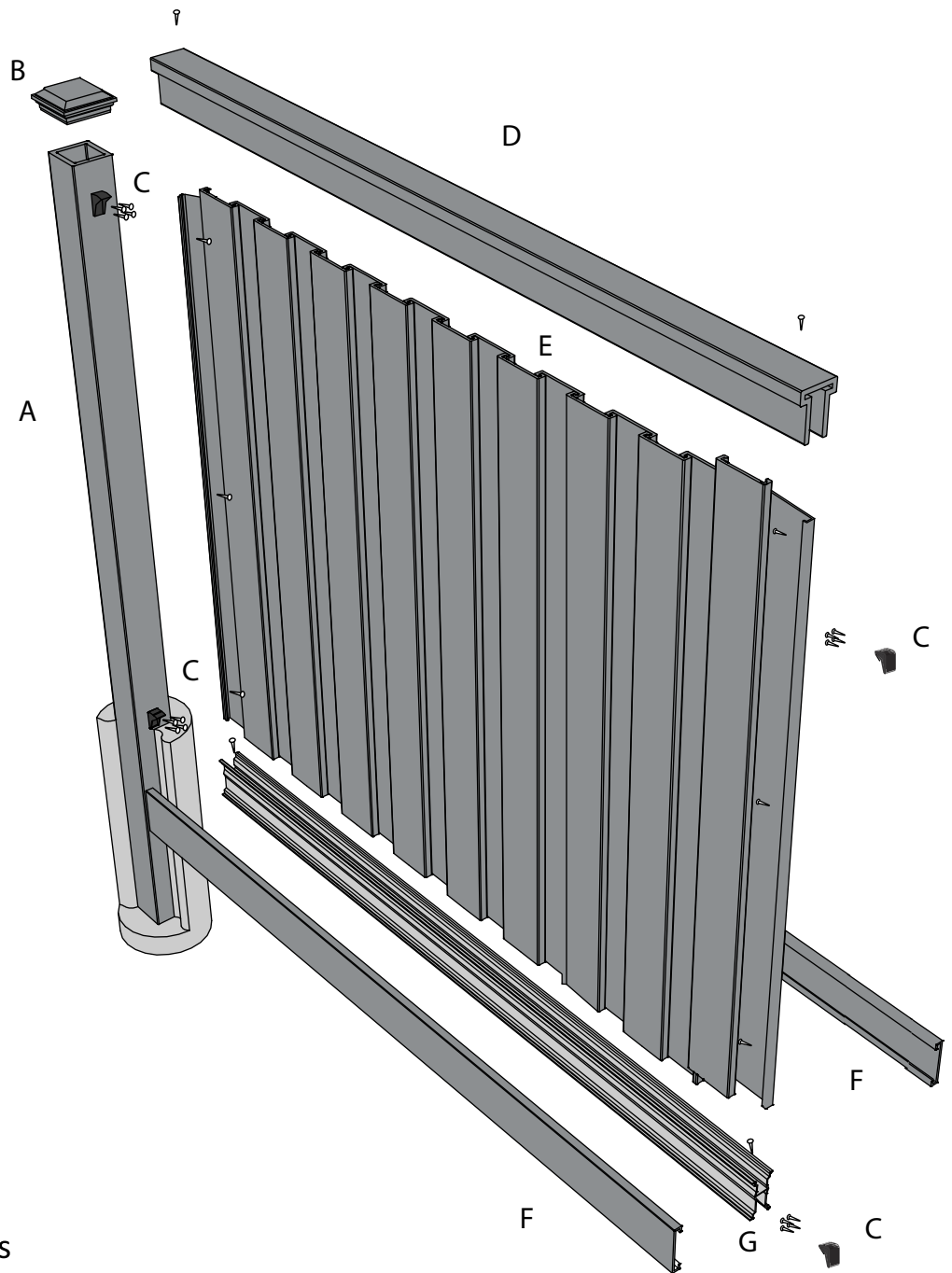


How To Guide:

Trex® Seclusions®

COMPOSITE FENCING SYSTEM

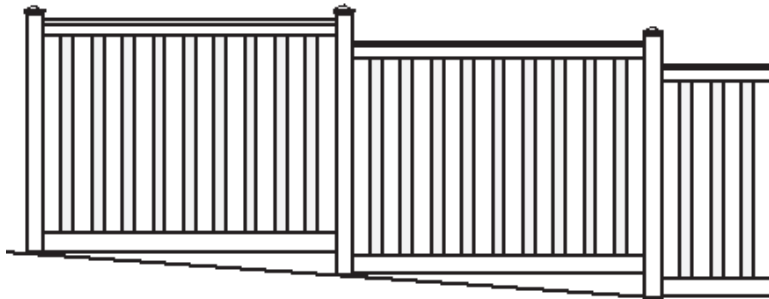
Exploded View



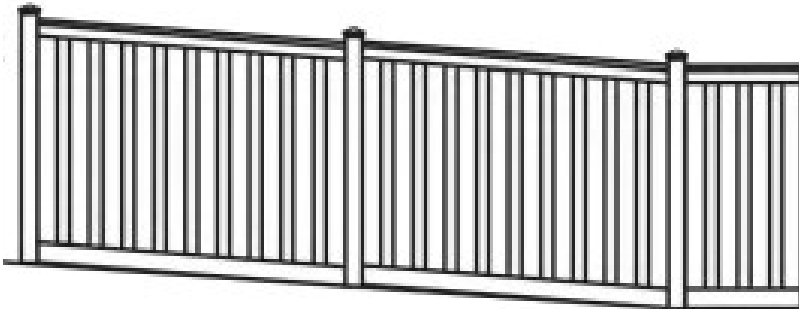
- A. 1 Post
- B. 1 Post Cap
- C. 4 Fence Brackets
- D. 1 Top Rail
- E. 19 Pickets
- F. 2 Bottom Rail Covers
- G. 1 Aluminum Bottom Rail

Step 1: Determine Install Method

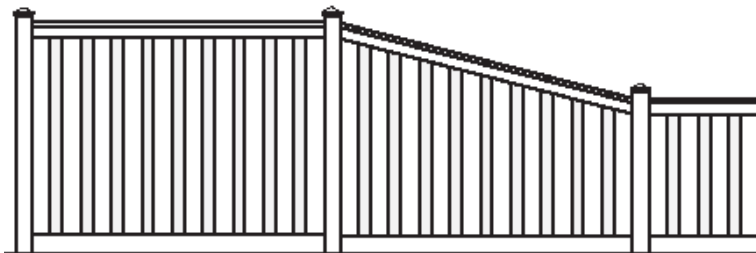
1. **Step Method:** This method gradually “steps” up the slope and the rails remain level. This may leave gaps under the fence. The downhill post will need to be set taller. Longer posts may be required. When laying out the fence post spacing, measure on a level line from one post to another.



2. **Following the Grade:** This method follows the grade or slope with the rails parallel to the ground. The post spacing may need to be reduced to avoid rails being too short because of the angle.



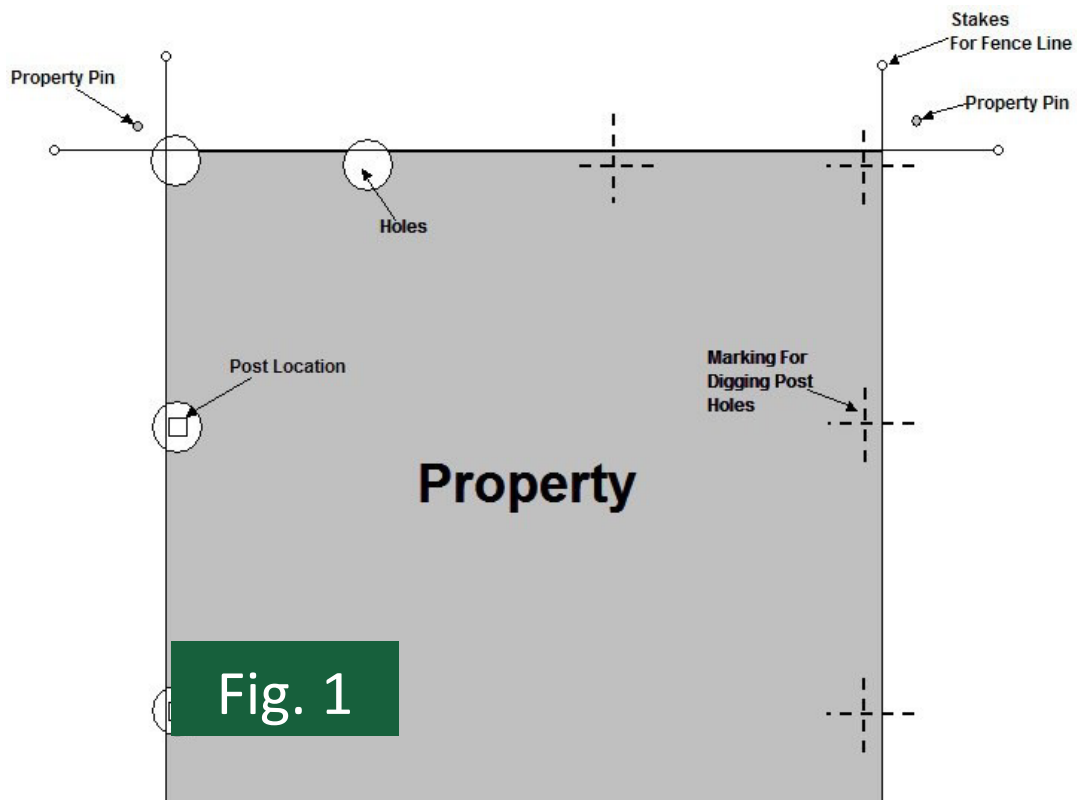
3. **Transition:** The fence can be easily transitioned to a different height. Post spacing will need to be reduced. Pickets will need to be cut to height.



Step 2: Stake and String

1. Stake & string fence lines. Drive stakes approx. 2 ft. beyond property pins so that stakes will not be disturbed when digging holes, and approx. 4-5 inches inside of property pins to insure no encroaching on neighbors.
2. Mark Location of Posts. Spray paint a line perpendicular to the string every 96" on center. Spray addition line (making a cross) 2" in from the string to mark center of hole (see Fig. 1).

Notes: Laying out posts 96" on center may leave an odd section at the end. For a more uniform look, fence lines may be divided into even sections rather than all 96" centers. However, post layout should not exceed 96 inches center to center or rails will be too short. Ex. If fence line is 68 ft. long, posts would be spaced 90.2" ($68 \times 12" = 812" / 9 = 90.2"$) on center.



Step 3: Dig Holes

1. Dig holes for the posts, making sure not to disturb the stakes for the string. The string may be removed and replaced after holes are dug. The holes should be approximately 12" in diameter and 30" deep (depending on local codes). Holes should be dug so that they allow equal amounts of concrete on all sides of posts (see Fig. 2).

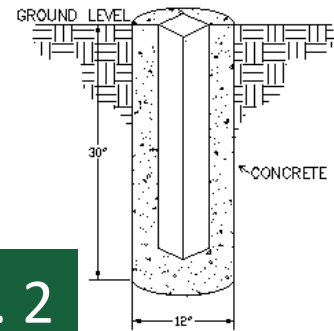


Fig. 2

Step 4: Set Posts

1. Plumb and level each post to the string line using a post level or 4' level*. Make sure that the posts are next to but not pushing the string line. Fill the hole with concrete and brace if necessary until concrete is cured. Allow concrete to dry 24-48 hours (depending on temperature) before building (see Fig. 3).

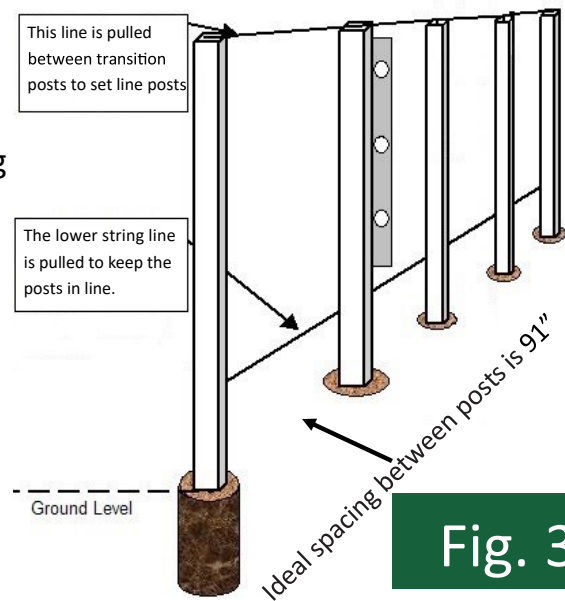


Fig. 3

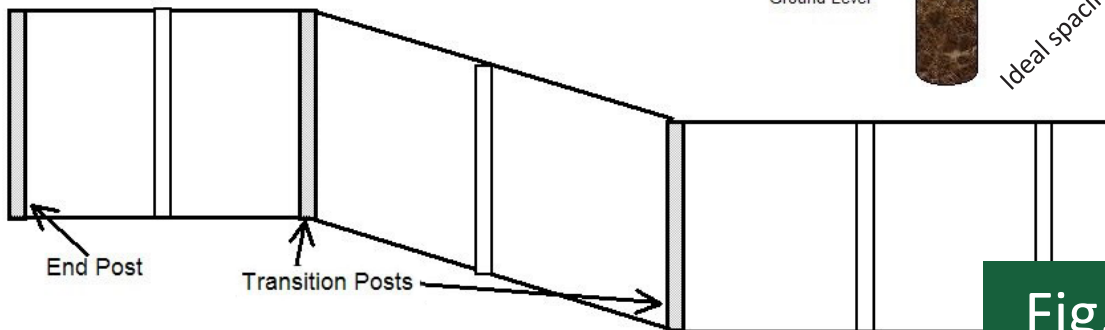


Fig. 4

***Note:** If setting posts to height, begin by setting all end, corner and transition (post where grade changes) posts first. Posts should be 74 1/2" inches high**. String a line from the top of these posts, then set the remainder of the posts to the height of the string. (see Fig. 4).

**Refer to page 14 for measurements for fence heights other than 6ft.

How To Guide:

Trex® Seclusions®

COMPOSITE FENCING SYSTEM

Step 5: Cut Posts

1. Cut the tops of the posts (if posts were not set to height). Mark all end, corner and transition posts at $74\frac{1}{2}$ "* ** above grade and then string a line from these posts (see Fig.5). Mark all posts and cut to the height of the string using a circular saw.

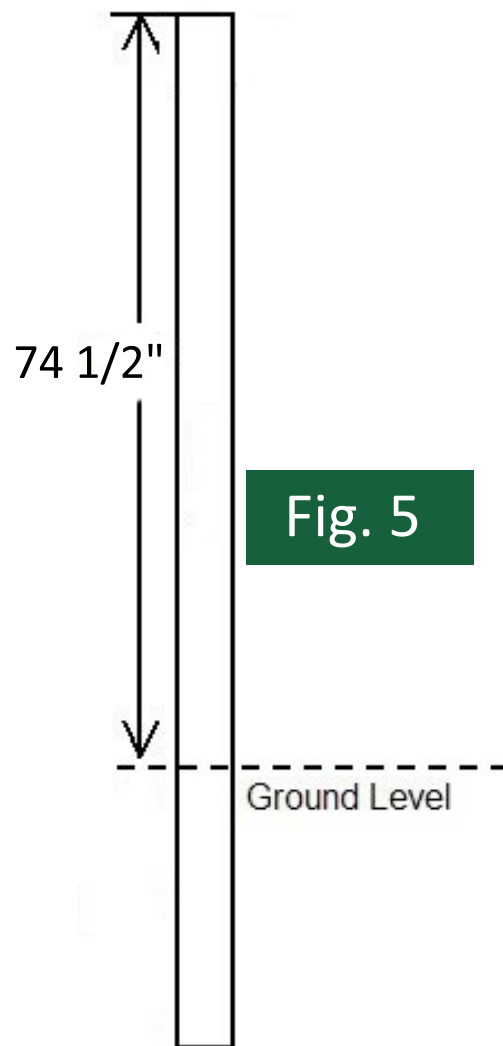
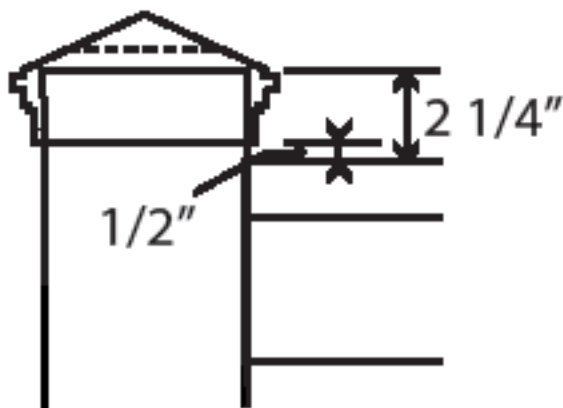


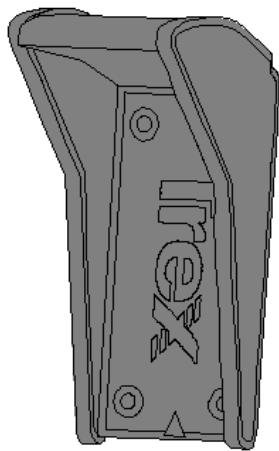
Fig. 5

*Note: Typical Post Reveal. If greater reveal is desired, increase post height.

**Refer to page 14 for measurements for fence heights other than 6ft.

Step 6: Attach Rail Brackets

1. Using 1 5/8" fence screws, attach the Fence brackets to the post as follows: Attach a bracket* 5 3/4" down from the top of the post. Attach a bracket 73 5/8" **down from the top of the post (see Fig.6). If the fence is on a slope, the brackets on the downhill side will need to be lowered so that the rails flow smoothly.



***Note:** For angles, use angle adaptors with the fence brackets. Each adapter provides a 22.5° of adjustment.

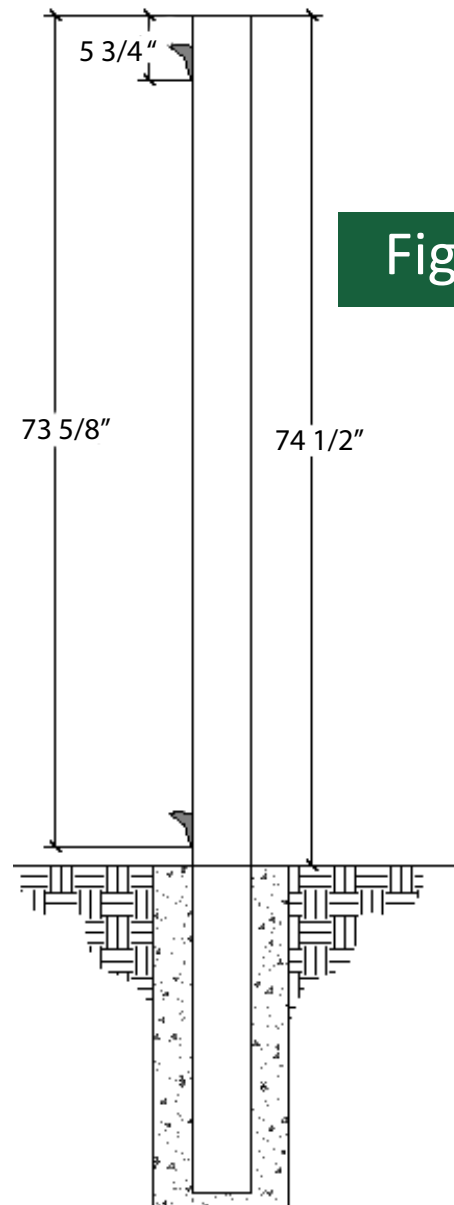
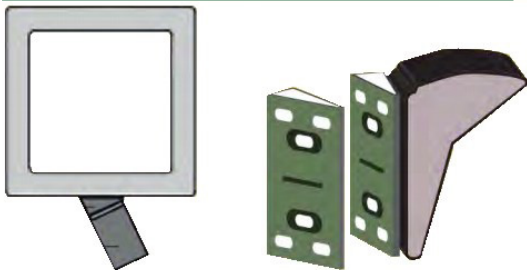
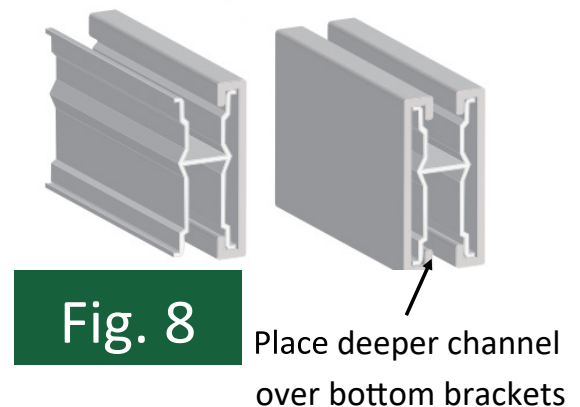
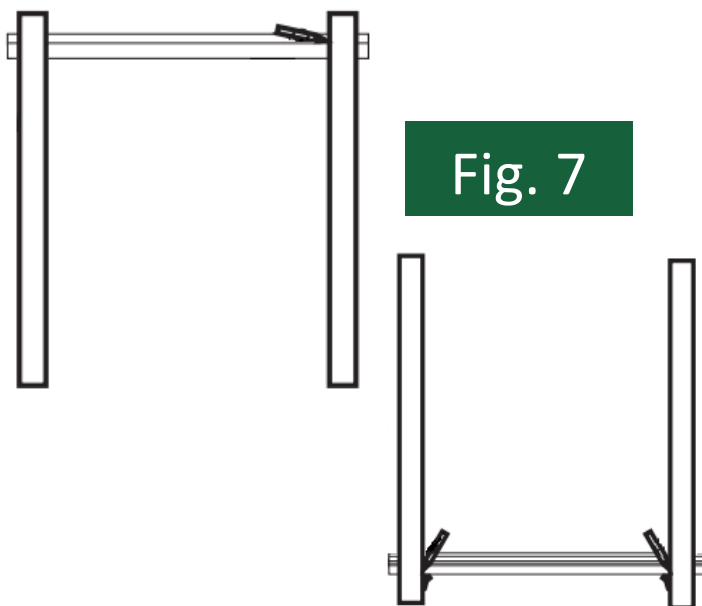


Fig. 6

**Refer to page 14 for measurements for fence heights other than 6ft.

Step 7: Cut Top and Bottom Rails

1. Mark the aluminum bottom rail, bottom rail covers, and top rail for length by holding them next to the post.* (see Fig. 7).
2. Cut the aluminum bottom rail with a nonferrous metal cutting blade. Cut the aluminum 1/2" shorter (do not cut the bottom rail covers shorter) to avoid scratching the post during installation. If the distance between posts is 91", the aluminum rail will not need to be cut.
3. Cut top rail and bottom rail covers with a miter saw.
4. Set the top rail in place over the brackets. Leave the rail in place while marking and cutting the remaining rails, to ensure all rails fit properly.
5. Slide the bottom rail covers over the aluminum bottom rail as shown (see Fig. 8). Place the assembled bottom rail over the bottom brackets with the deeper channel facing down.



Step 8: Install Pickets

1. Cut two pickets to attach to the posts at each end. The picket sits inside the aluminum rail and should be cut to fit just below the top bracket (see Fig. 9).
2. Insert the first cut picket into the aluminum rail, and secure it to the post using three 1 5/8" exterior screws (see Fig. 10). If the posts are set at 8' on center, the first and last picket will face the same direction. For shorter sections, the first and last pickets may face in opposite directions.
3. Insert pickets into the bottom rail, alternating their orientation so they interlock (see Fig. 11). Due to color variations that may be present, we recommend installing similar color pickets within the same section of fence.
4. If the last picket is tight, it may be easier to remove the second to last picket and reinsert it by sliding it down from above after the last picket is screwed to the post (see Fig. 12).

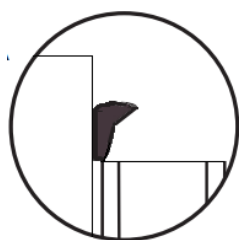


Fig. 9

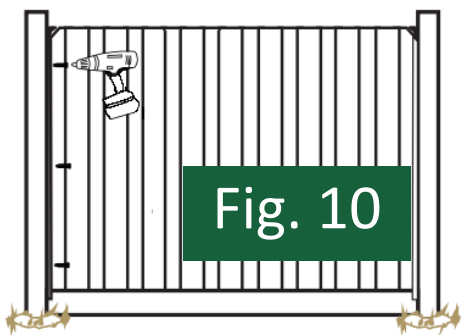
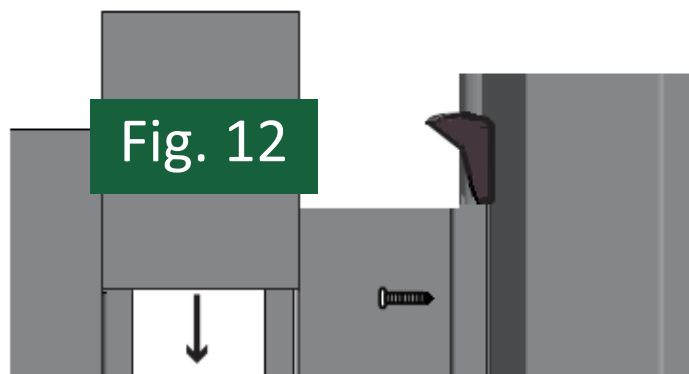


Fig. 10

Fig. 11

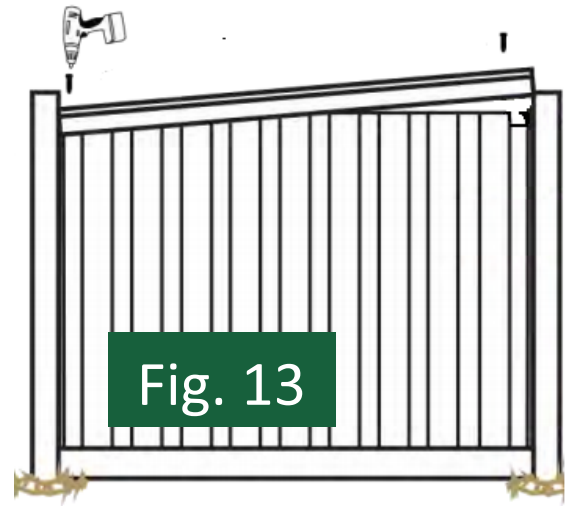


Fig. 12



Step 9: Install Top Rail and Secure Pickets

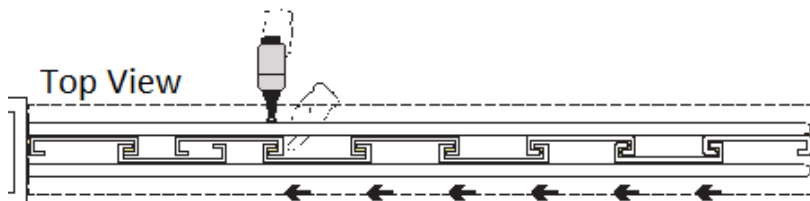
1. Install the top rail by starting at one end and setting the rail over one fence bracket, gradually lowering over the pickets.
2. Secure the top rail to the fence brackets using 1 5/8" exterior screws through the top of the rail at each end (see Fig. 13).
3. If the pickets are not all interlocked tightly:
 - 3a. Pull all of the pickets tight towards one post (see Fig. 14). Secure the third to the last picket through the top and bottom rails with finish nails or composite screws (see Fig. 15).



Side View



Top View

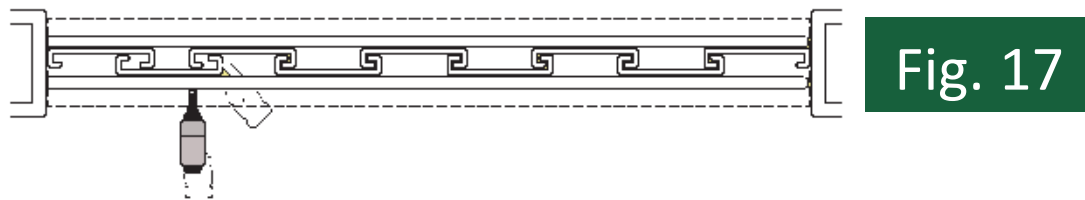
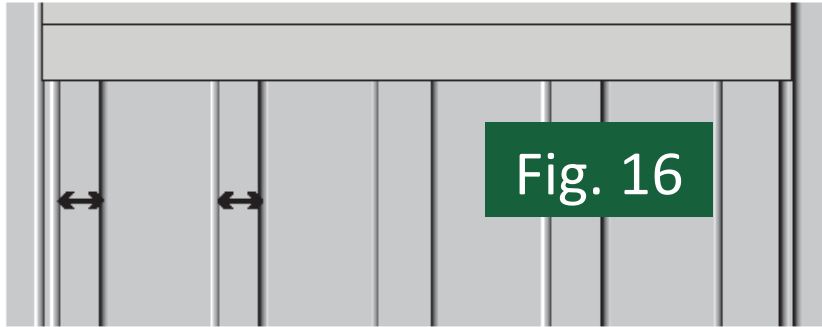


How To Guide:

Trex® Seclusions®

COMPOSITE FENCING SYSTEM

- 3b. Evenly space the last picket (see Fig. 16) and secure it through the top and bottom rails with fasteners (finish nails or composite screws) (see Fig. 17). Place additional fasteners through every other picket to prevent rattling.



4. Place post cap onto the post and secure using adhesive or finish nails (see Fig. 18).



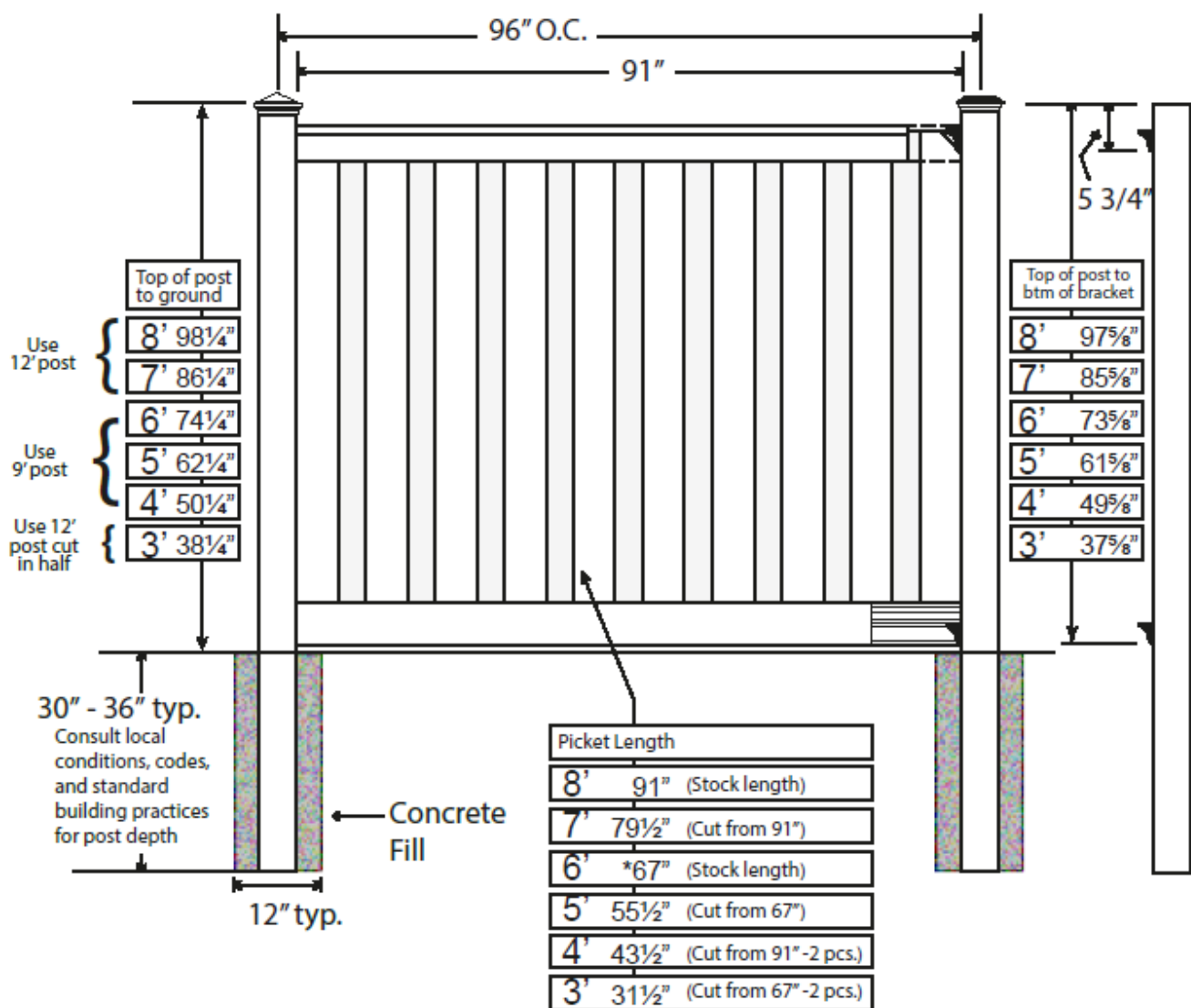
For a step by step installation video, visit: <https://www.yournextfence.com/resources/seclusions-install-guides/>

How To Guide:

Trex® Seclusions®

COMPOSITE FENCING SYSTEM

Trex Seclusions (all heights)



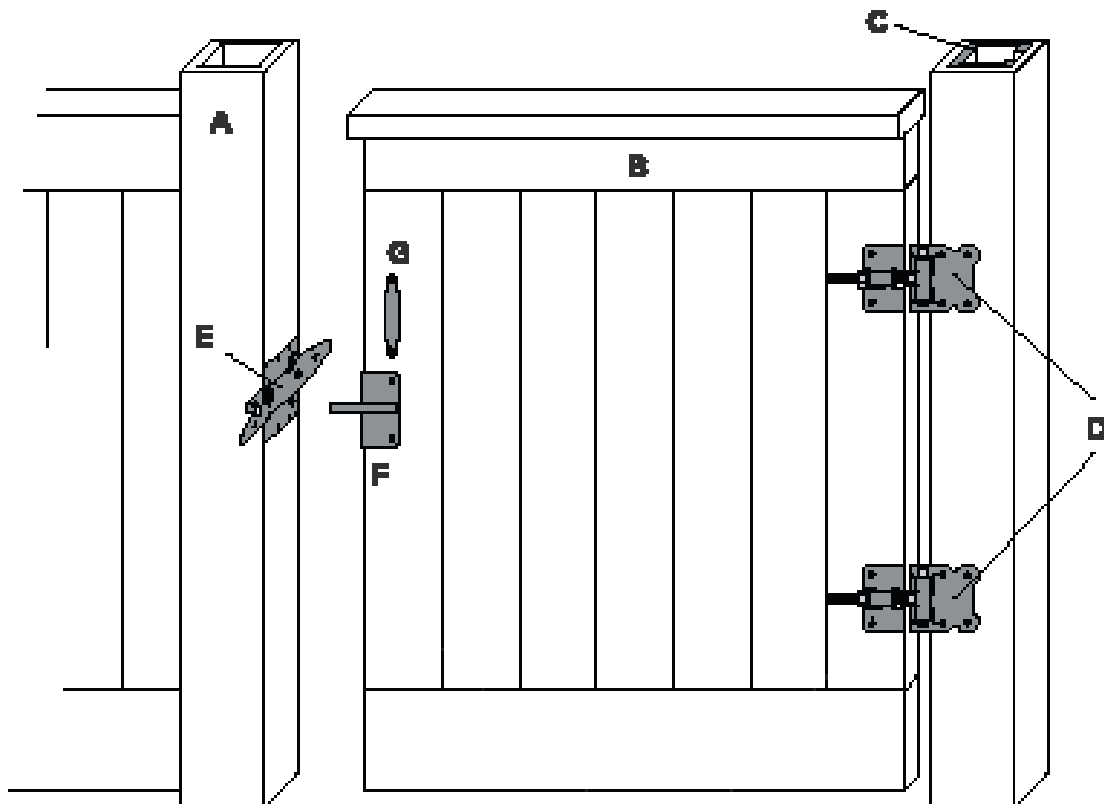
How To Guide:

Trex® Seclusions®

COMPOSITE FENCING SYSTEM

Install Single Gate

- A. Fence posts
- B. Gate Panel
- C. Steel Post Stiffener
- D. Gate Hinge
- E. Gate Latch
- F. Gate Striker
- G. Gate Handle

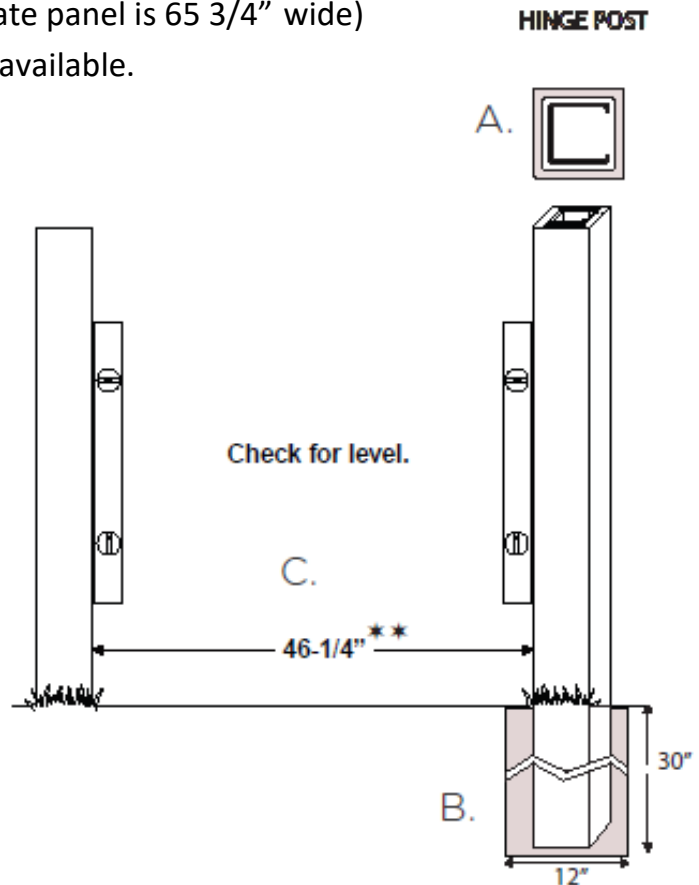


Step 1: Set the Single Gate Posts

- A. Slide the Steel Post Stiffener* into the hinge post. The open side of the steel stiffener should be placed so it faces away from gate opening.
- B. Set posts into post holes. Hole Dimensions for standard gate openings are 30" deep by 12" wide. However, consult local conditions, codes, and standard building practices for actual post depth.
- C. The opening (measuring from the inside face of one post to inside face of the other post) for a standard size Trex Seclusions Gate panel should be 46 1/4". Inside faces of posts should be parallel with each other. (**The opening for a standard Large Size Trex Gate panel is 65 3/4" wide) Custom heights and widths are available.

Note: Due to concrete cure times, set the gate posts 2-3 days before gate is installed.

***Note:** If the Hinge Post is not connected to a fence panel or if a large gate panel is used it may be necessary to use a Heavy Duty Steel Post Stiffener.



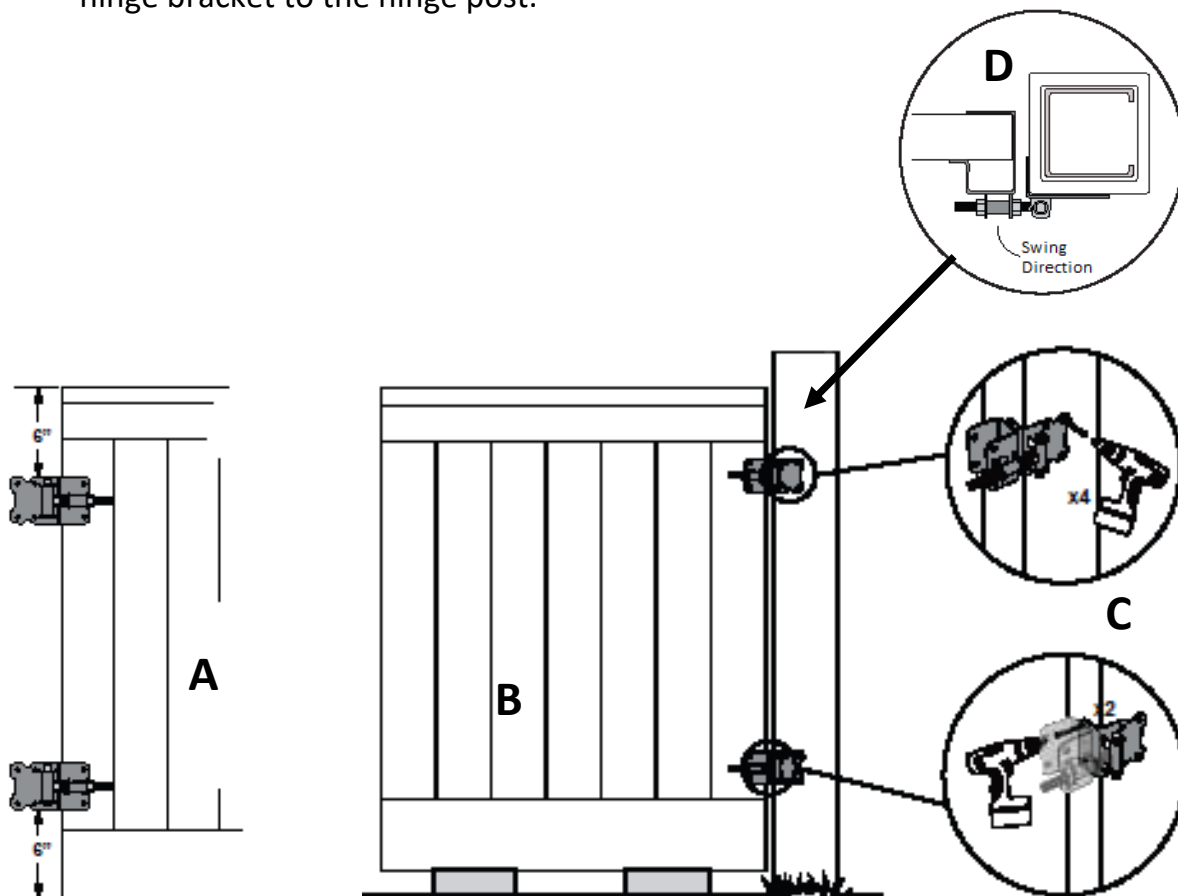
How To Guide:

Trex® Seclusions®

COMPOSITE FENCING SYSTEM

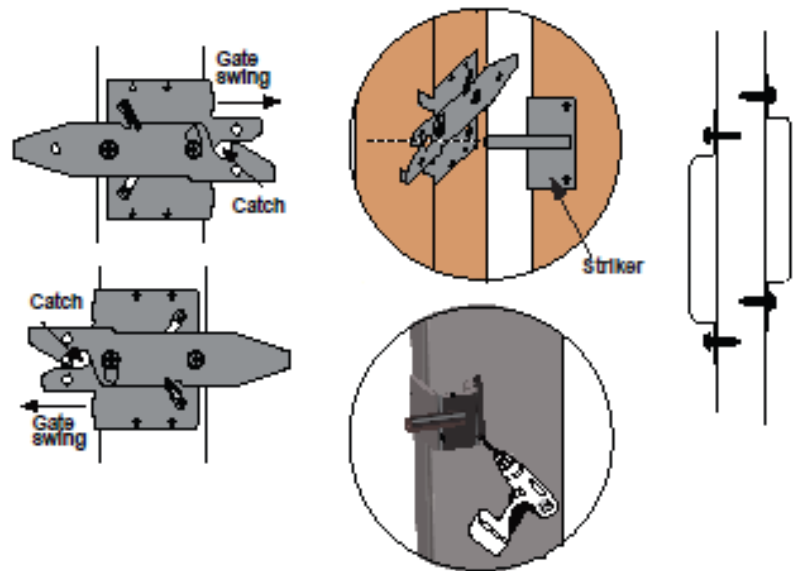
Step 2: Install the Gate Panel

- Using a $3/8$ " nut driver, attach the hinges to the gate panel approximately 6" from the top and bottom of the gate with the supplied $1\ 1/2$ " self-drilling screws. Pre-drilling with a $3/16$ " drill bit will make installation easier.
- Place the gate panels in the opening. Adjust the gates so that the top rail lines up with the top rail of the fence.
- Using the supplied $1\ 1/2$ " self-drilling screws, attach the outside corner of each hinge to the gate post containing the steel stiffener.
- Open the gate panel and attach the inside corner of the hinge bracket to the hinge post.



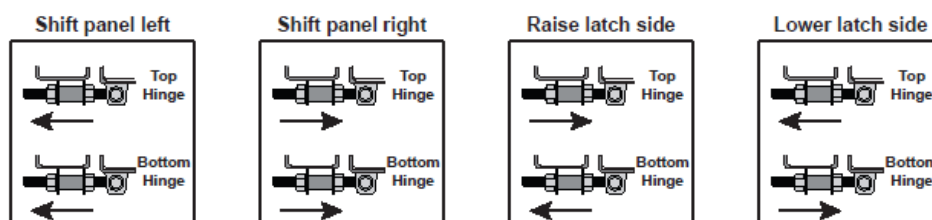
Step 3: Attach the Latch and Handles

1. Attach the latch to the latch post approximately 36" from the ground (or to desired height) using the supplied 1 1/2" self-drilling screws. The latch should be oriented so the catch is on the gate-swing side of the post. The catch will face up or down depending on the direction of the gate swing.
2. Using the supplied 1 1/2" self-drilling screws, attach the striker to the gate panel, lining the striker rod up with the catch on the post latch.
3. Attach the gate handles to the gate panel upright, using the supplied 1" self-drilling screws. Handles should be attached 1 3/4" from the edge of the gate panel. The height must be staggered.



Step 4: Make any Final Adjustments

1. To adjust a sagging gate, or to shift the panel in the opening, loosen the hinges nut with an 11/16" wrench.
2. Loosen or tighten the nuts in the direction shown below. Lift or push panel to slide the hinge.
3. Retighten the hinge nuts.
4. Due to weather and temperature changes, periodic hinge adjustment may be necessary to assure proper latch connection.



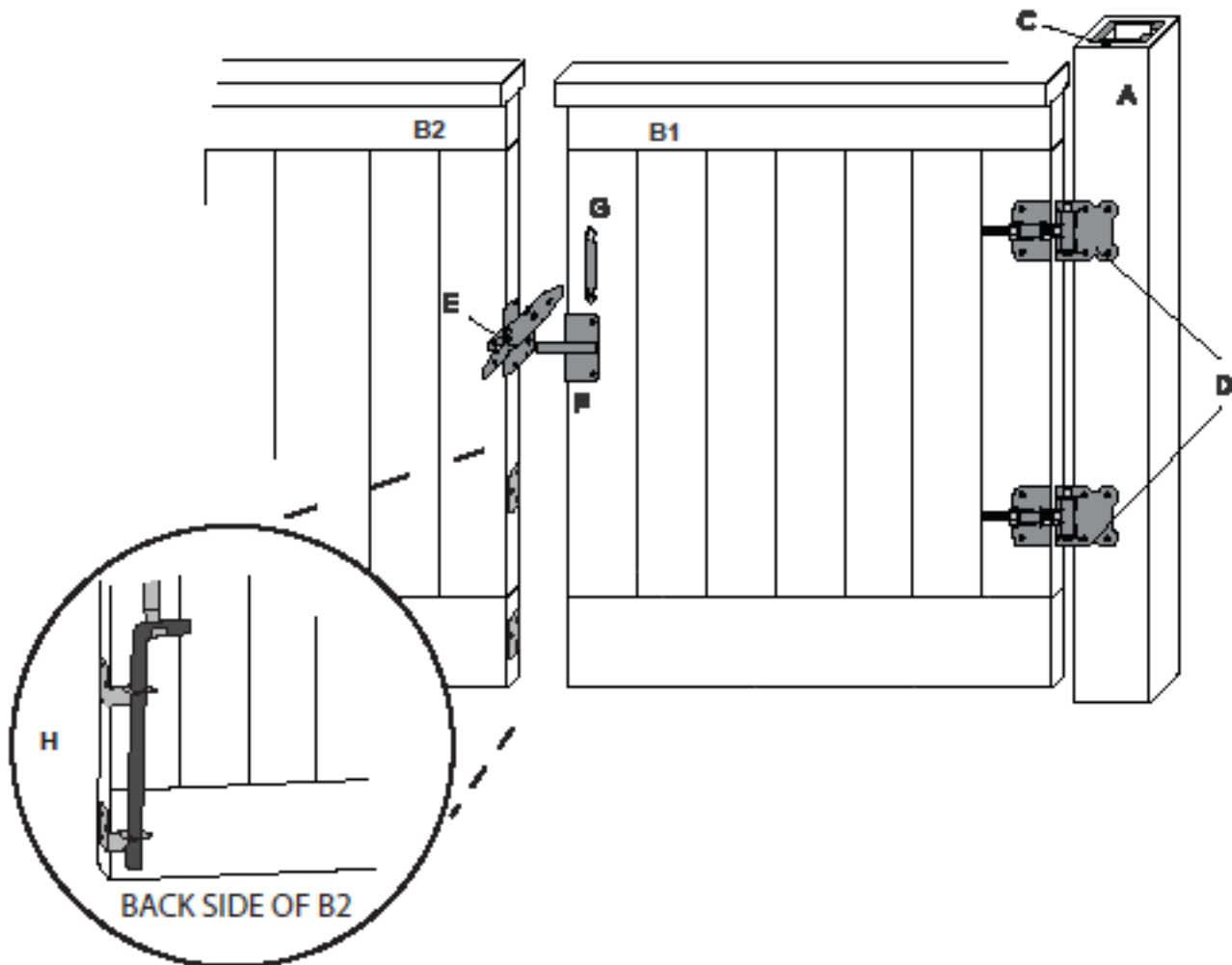
How To Guide:

Trex® Seclusions®

COMPOSITE FENCING SYSTEM

Install Double Gate

- A. Fence posts
- B. Gate Panel
- C. Steel Post Stiffener
- D. Gate Hinge
- E. Gate Latch
- F. Gate Striker
- G. Gate Handle
- H. Drop Rod

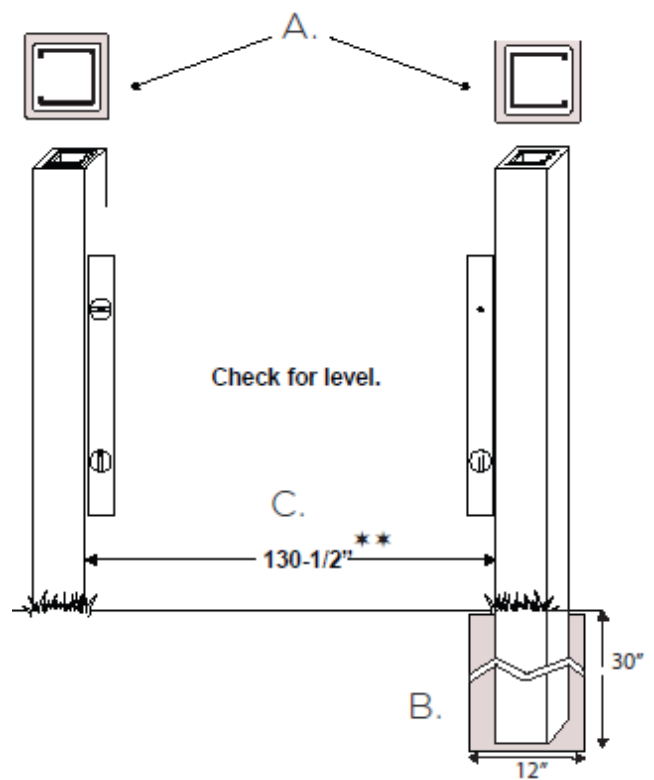


Step 1: Set the Double Gate Posts

- A. Slide the Steel Post Stiffener* into the hinge post. The open side of the steel stiffener should be placed so it faces away from gate opening.
- B. Set posts into post holes. Hole Dimensions for standard gate openings are 30" deep by 12" wide. However, consult local conditions, codes, and standard building practices for actual post depth.
- C. The opening (measuring from the inside face of one post to inside face of the other post) for a standard size Trex Seclusions Gate panel should be 91 1/2" wide**. The Inside faces of posts should be parallel with each other. (**The opening for a double gate using standard Large Size Trex Gate panels is 130 1/2" wide) Custom heights and widths are available.

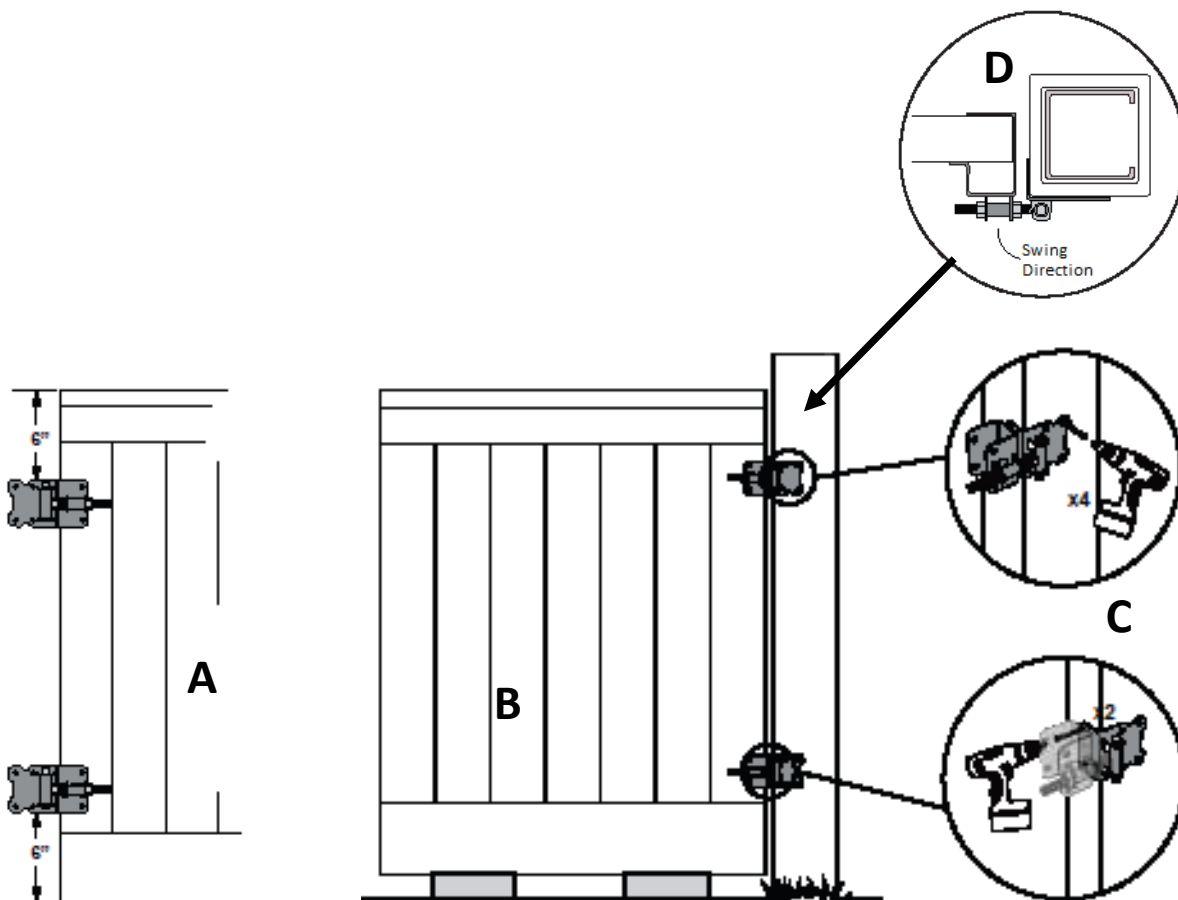
Note: Due to concrete cure times, set the gate posts 2-3 days before gate is installed.

***Note:** If the Hinge Post is not connected to a fence panel or if a large gate panel is used it may be necessary to use a Heavy Duty Steel Post Stiffener.



Step 2: Install the Gate Panel

- A. Using a 3/8" nut driver, attach the hinges to the gate panel approximately 6" from the top and bottom of the gate with the supplied (4) 1 1/2" self-tapping Screws. Pre-drilling with a 3/16" drill bit will make installation easier.
- B. Place the gate panels in the opening. Adjust the gates so that the top rails line up with each other and with the top rail of the fence.
- C. Using the supplied 1 1/2" self-drilling screws, attach the outside corner of each hinge to the gate post containing the steel stiffener.
- D. Open the gate panel and attach the inside corner of the hinge bracket to the hinge post.

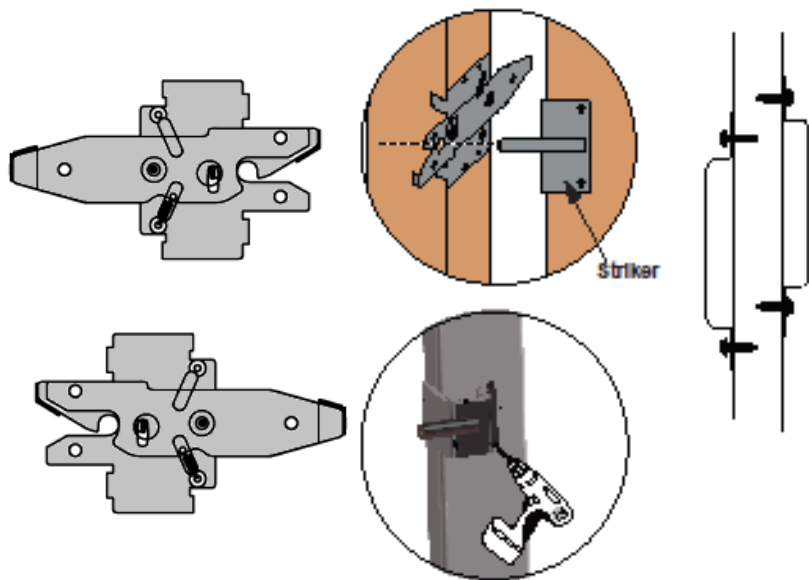


Step 3: Attach the Latch and Handles

1. Attach the latch to the non-active panel (the panel which will be stationary when only one panel is in use) approximately 36" from the ground (or to desired height) using the supplied 1 1/2" self-drilling screws. The latch should be oriented so the catch is on the gate-swing side of the post. The catch will face up or down depending on the direction of the gate swing.

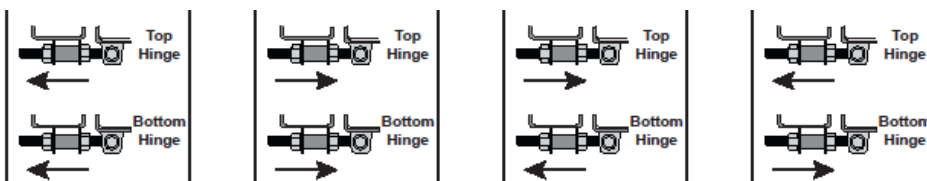
2. Using the supplied 1 1/2" self-drilling screws, attach the striker to the gate panel, lining the striker rod up with the catch on the post latch.

3. Attach the gate handles to the gate panel upright, using the supplied 1" self-drilling screws. Handles should be attached 1 3/4" from the edge of the gate panel. The height must be staggered.



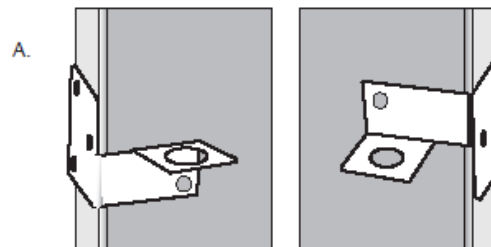
Step 4: Make Any Final Adjustments

1. To adjust a sagging gate, or to shift the panel in the opening, loosen the hinges nut with an 11/16" wrench.
2. Loosen or tighten the nuts in the direction shown below. Lift or push panel to slide the hinge.
3. Retighten the hinge nuts.
4. Due to weather and temperature changes, periodic hinge adjustment may be necessary to assure proper latch connection.

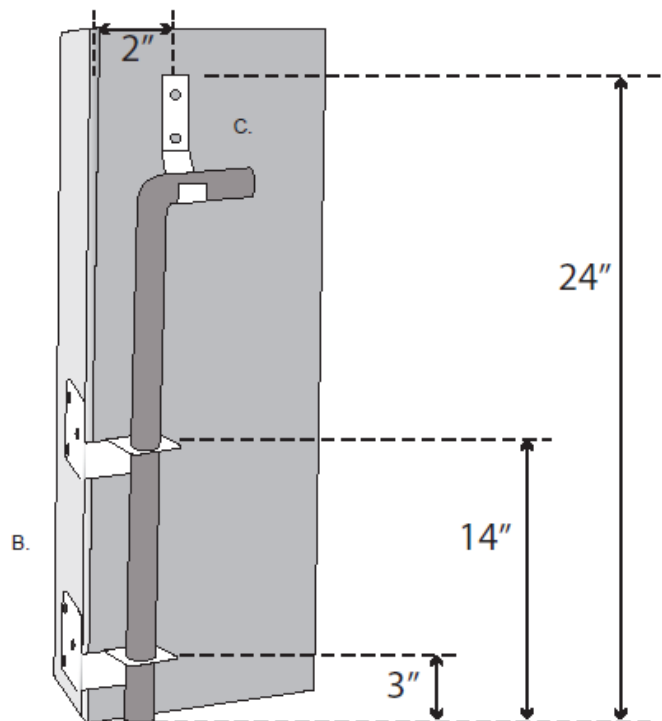


Step 5: Mount the Drop Rod

- A. Attach the drop rod brackets to the back side of the non-active gate panel. Reverse the drop rod brackets depending on which side of the gate the drop rod is to be mounted. Reverse the drop rod brackets depending on which side of the gate the drop rod is to be mounted.
- B. Measuring from the horizontal tab, attach the lower bracket 3" from the bottom of the gate panel using 2" self-drilling screws on the inside edge of the gate panel upright and 1" self-drilling screw on the face of the gate panel. Repeat this process for the upper bracket, attaching it 14" from the bottom of the panel.



- C. Attach the drop rod hanger 24" from the bottom of the gate panel and 2" to the center of the screw holes from the edge of the gate panel.



- D. Mark the location on the ground where the drop rod hits. If the gate is over a concrete pad, drill an 8" deep hole using a 3/4" masonry bit for the drop rod to slide into when the gate is closed. For gates over soil, dig a hole 8" wide x 18" deep below the rod, fill it with concrete, and insert an 8" long 3/4" PVC pipe in the concrete for the drop rod to slide into after the concrete has cured.

How To Guide:

Trex® Seclusions®

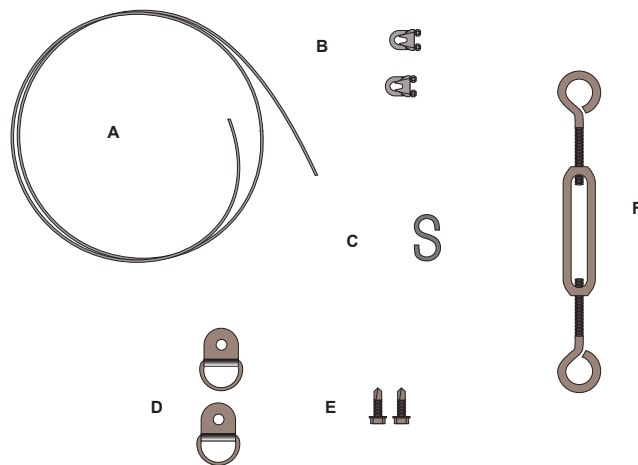
COMPOSITE FENCING SYSTEM

OPTIONAL ANTI-SAG CABLE KIT

For large gate panels, it may be necessary to use an anti-sag cable to eliminate the sag of a gate panel. Anti-sag cable kits can be purchased through your local Trex Distributor.

ANTI-SAG CABLE KIT COMPONENTS

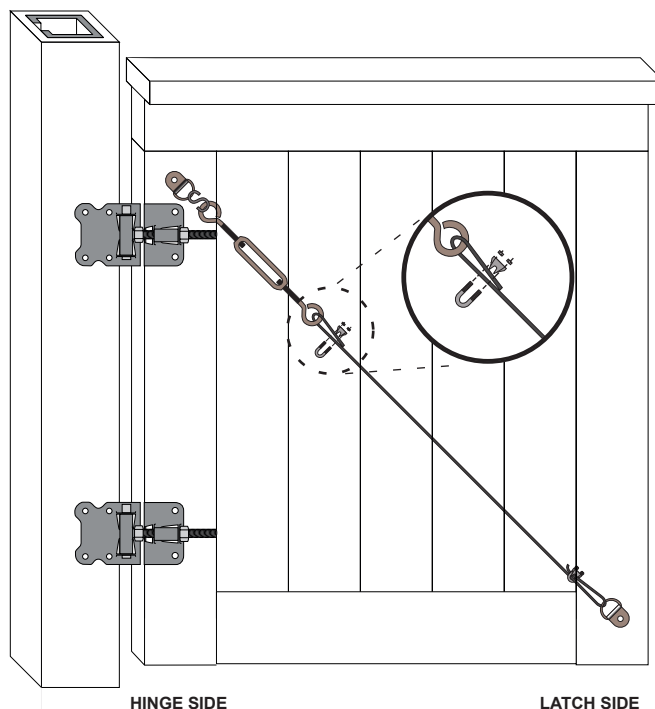
- A Black vinyl wrapped steel cable
- B Cable clamp (2)
- C 'S' hook
- D 'D' rings (2)
- E 1" Self-drilling screws (2)
- F Turnbuckle



ATTACHING THE CABLE KIT

Note: To make installation easier, prop the gate to the desired level using a block of wood under the latch side edge of the gate panel.

- A. Attach upper 'D' ring to the "hinge side" of the panel, 5-1/2" down from top of gate and 1-3/4" from the edge of gate (to hit the inner steel frame), using (1) self-drilling screw.
- B. Attach lower 'D' ring to the "latch side" of the panel, 2" up from bottom of gate and 1-3/4" from the edge of gate, using (1) self-drilling screw.
- C. Lengthen the turnbuckle as long as possible before proceeding by twisting the center ring. Attach the turnbuckle to the upper "D" ring using the "S" hook.
- D. Loop one end of the cable through the lower eye bolt of the turnbuckle. Attach a cable clamp and tighten nuts as tight as possible.
- E. Loop the other end of the cable through the lower "D" ring and attach the other cable clamp. Pull the cable as tight as possible before tightening the nuts.
- F. Remove any slack by tightening the turnbuckle, twisting the center ring of the turnbuckle.



How To Guide:

Trex® Seclusions®

COMPOSITE FENCING SYSTEM

Care And Maintenance

	Clean fence to remove dirt and debris. Soap, hot water and a soft brush are all that are needed.
Chalk Markings	Most colored chalk lines are permanent. As an alternative to regular chalk, use either baby powder or Irwin Strait-Line Dust-off marking chalk available at www.irwin.com .
Water Spots, Leaf Staining and Wood Tannins	Tannin leaching occurs naturally in Trex® and all wood based products. Allow at least 12 weeks of normal weathering for the staining to become less visible. This process may be hastened through the use of a product containing oxalic or phosphoric acid.*
Scuffs & Abrasions	Scuffs and abrasions can fade or disappear naturally after 12-16 weeks of weathering. If a reduction in the visibility of a scuff or abrasion is desired before the fence weathers, WD-40 can be applied as a temporary solution. Apply a small amount of WD-40 to a rag and lightly rub it into the affected area. Weathering can be accelerated with a product containing oxalic or phosphoric acid, such as a deck brightener.
Rust Stains, Ground-In Dirt and Grime and Pigment Staining	Use a cleaning product containing oxalic or phosphoric acid, such as Deck Brightener from www.Olympic.com , to lighten or remove rust or dirt. The product may need to sit on a stain 10-15 minutes before rinsing. *
Oil and grease Stains	Rinse the stain with hot water as soon as possible. Use a product such as Pour-N-Restore (www.pour-n-restore.com) as directed for any remaining staining (test in a small area first as the product may remove some of the colorant from the fencing surface).
Mold & Mildew	If your area is prone to mold and mildew growth, semi-annual cleaning (typically Spring and Fall) of your fence is important to prevent the build-up of pollen and other debris that can support the growth. Use conventional fence washes or cleaners that contain sodium hypochlorite (bleach) and detergent (refer to the Trex Mold Technical Bulletin for specific recommendations). *
Pressure Washer	Trex does not recommend the use of a pressure washer. The use of a pressure washer on fence surface could damage the fencing and will void the warranty with respect to any condition caused by the pressure washing.
Sanding	Trex Company does not recommend sanding. Sanding will change the appearance of the surface of Trex Material and will void the warranty .
Disposal	Trex products should be disposed with normal construction debris or house hold waste. Do not burn Trex products.

* Use of products containing bleach or oxalic/phosphoric acid will lighten the surface of Trex®. Use in an inconspicuous area to determine if you like the effect. Neither product will affect the structural integrity of Trex® composite fencing.

Trex® is a federally registered trademark of Trex Company, Inc., Winchester, Virginia.
Horizons™ COMPOSITE FENCING SYSTEM is an exclusive product and trademark of FDS Distributors, Inc., Provo, Utah.

Contact us



FENCE & DECK SUPPLY

Provo: 543 E. 600 S.

801-649-6603

SLC: 2912 S. 460 W.

801-997-9393

FenceAndDeckSupply.com