

How To Guide:

*Bufftech*<sup>®</sup>

Molded Fence



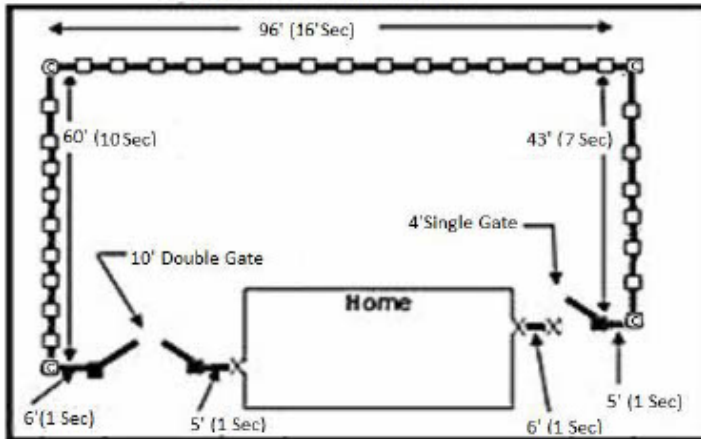
Fence & Deck Supply

[FenceAndDeckSupply.com](http://FenceAndDeckSupply.com)

How To Guide:

# Bufftech<sup>®</sup> Molded Fence

Sample Fence Sketch and Measurements



- ⊠ Corner Post
- Line Post
- Gate Post
- X End Post

Figure the number of sections for each line by dividing the length of each line in inches by 72. Round any remainder up.



## How To Guide:

# Bufftech<sup>®</sup> Molded Fence

*The material calculations on this form are intended for rough estimation based on 6' section. Actual numbers may vary.*

Items Needed (Per 6' Section)		Multiplier	Total Materials
Material	Quantity		
6' Panel	1	x (# of sections)	
9' Corner Post	1	x (# of corner posts)	
9' Line Post	1	x (# line posts)	
9' Gate Post	1	x (# gate posts)	
9' End Post	1	x (# end posts)	
Post Caps	1	x (# of posts)	
80 lbs Bag Concrete	2	x (# of posts)	
# of 3' Gate Panel(s)		Hinges & Latch Included	
# of 4' Gate Panel(s)		Hinges & Latch Included	
# of 5' Gate Panel(s)		Hinges & Latch Included	
# of 6' Gate Panel(s)		Hinges & Latch Included	

### Tools Needed

- |   |                                       |
|---|---------------------------------------|
| <input type="checkbox"/> Stakes           | <input type="checkbox"/> Circular Saw |
| <input type="checkbox"/> String Line      | <input type="checkbox"/> Drill        |
| <input type="checkbox"/> Marking Paint    | <input type="checkbox"/> Pencil       |
| <input type="checkbox"/> Hammer           | <input type="checkbox"/> Wheelbarrow  |
| <input type="checkbox"/> Tape Measure     | <input type="checkbox"/> 4' Level     |
| <input type="checkbox"/> Shovel           |                                       |
| <input type="checkbox"/> Post Hole Digger |                                       |
| <input type="checkbox"/> Digging Bar      |                                       |

### Before you begin

- Confirm location of underground utilities with local providers before you dig. ( Utah 1-800-662-4111)
- Check local HOA and zoning laws which may regulate the height and placement of your fence.
- Apply for local permits as directed by local code
- Wear proper safety protection for eyes and ears.



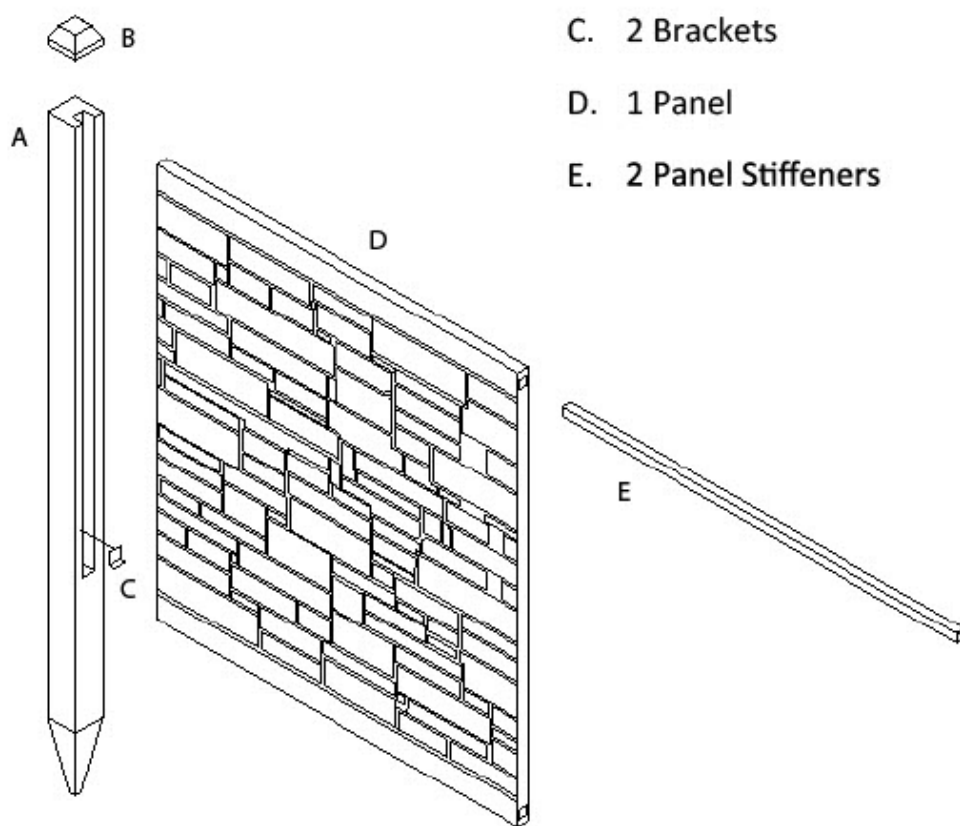
How To Guide:

# Bufftech<sup>®</sup>

## Molded Fence

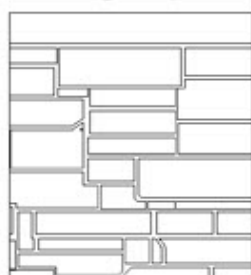
### Exploded View

- A. 1 Post
- B. 1 Post Cap
- C. 2 Brackets
- D. 1 Panel
- E. 2 Panel Stiffeners

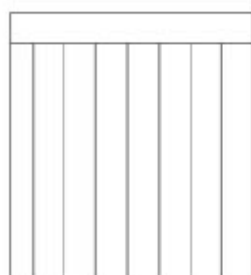


Available in:

Allegheny



Sherwood



Fence & Deck Supply



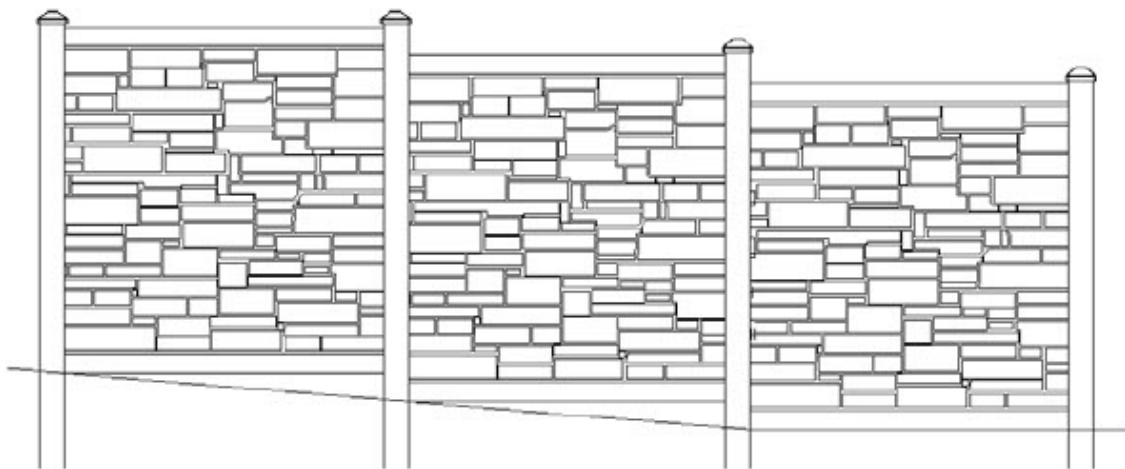
How To Guide:

# *Bufftech*<sup>®</sup>

## Molded Fence

### Step 1: Install Method

1. **Step Method:** This method gradually “steps” up the slope and the panels remain level. This may leave gaps under the fence. The downhill post will need to be set taller. Longer posts may be required. When laying out the fence post spacing, measure on a level line from one post to another. Using a board cut to 72” together with a level may be helpful.



How To Guide:

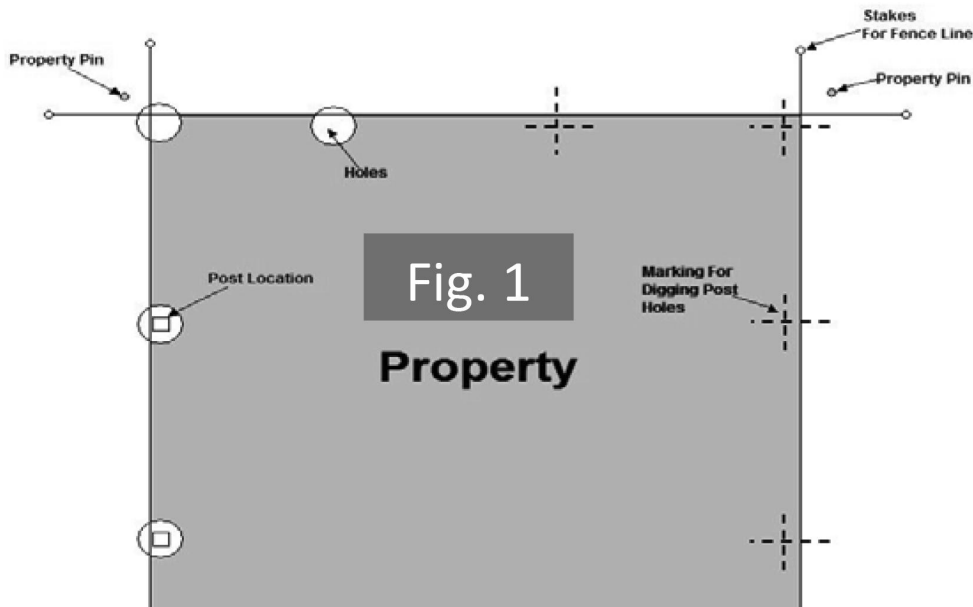
# Bufftech<sup>®</sup> Molded Fence

## Step 2: Stake and String

1. Stake & string fence lines. Drive stakes approx. 2 ft. beyond property pins so that stakes will not be disturbed when digging holes, and approx. 4-5 inches inside of property pins to insure no encroaching of neighbors property (See Fig.1).
2. Mark location of posts. Spray paint a line perpendicular to the string on center in relation ship to what type of post it will be\*. Spray addition line (making a cross) 2" in from the string to mark center of hole.

### Center to Center Post Dimensions\*

3' H or 6' H Fence	End or Line	Gate or Corner	4' H or 8' H Fence	End or Line	Gate or Corner
End or Line	72"	73"	End or Line	96"	97"
Gate or Corner	73"	74"	Gate or Corner	97"	98"



# Bufftech<sup>®</sup>

## Molded Fence

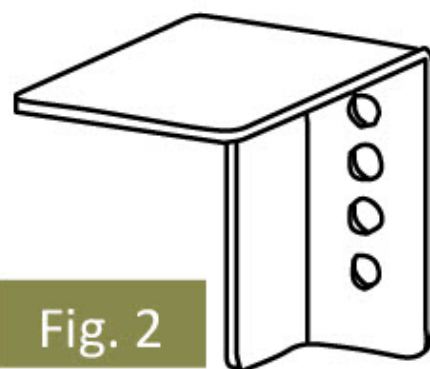
### Step 3: Dig Holes

1. Dig the holes for the posts making sure not to disturb the stakes for the string. The string may be removed and replaced after holes are dug. The holes should be approximately 12" diameter and 30" deep (depending on local codes). Holes should be dug so that they allow equal amounts of concrete on all sides of posts.

### Step 4: Installing Brackets

1. Remove brackets from the bottom tip of each post\*.
2. Attach the bracket in the channel of the post prior to setting the posts. Measure down 73 1/2" from the top of the post for a 6' high fence\*\*. It is easier to change the height of a bracket in the field, if necessary, than to install all the brackets once posts are installed in the ground (see Fig. 2).

**\*Note:** Brackets come packaged at the tip of the post during shipping. They must be removed then reattached at desired height .



Panel Size**	3'	4'	6'	8'
Bracket Location	37 1/2"	49 1/2"	73 1/2"	98"

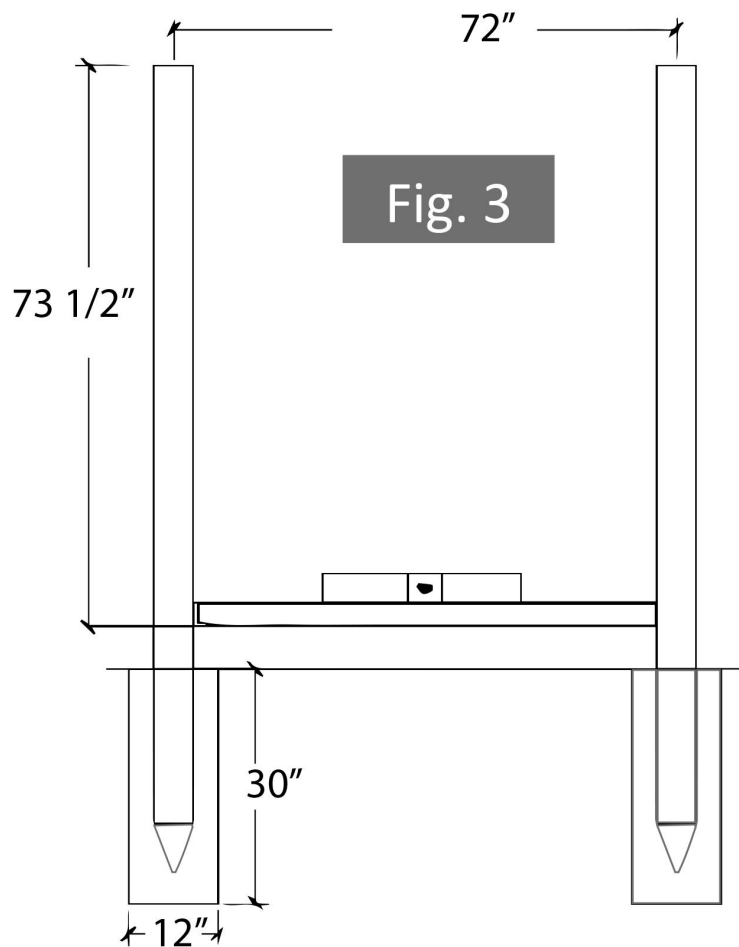
How To Guide:

# Bufftech<sup>®</sup>

## Molded Fence

### Step 5a: Setting Posts on Level Grade

1. For level ground installation, start with the corner or end post. This will give you a starting point for your layout.
2. Holes must be 71 1/2" apart from the centers for a 6' panel (see Fig. 3). It is essential that the panel stiffener touches post to post. The panel stiffener is wider than the panel to accommodate panel thermal expansion.  
DO NOT CUT THE STIFFENER UNLESS THE PANEL IS BEING CUT SHORTER.
3. Walls will rarely measure out to a round number of full panels. It will likely require you to cut one or more panels to complete a wall.
4. Fill the hole with concrete and brace if necessary until concrete is cured. Allow concrete to dry 24-48 hours (depending on temperature) before building.



**\*Note:** Depending on preference you can narrow the width of the last few panels or cut the first and last panels evenly so that there is not one very narrow panel. You can cut the panels with any circular saw (see page 13).



How To Guide:

# Bufftech<sup>®</sup>

## Molded Fence

### Step 5b: Setting Posts on a Slope

1. If setting post on a slope, it is easier to begin at the top and work your way downhill.
2. Set the first post on uphill side. Post placement is important! Posts are typically placed at the point where the slope changes (see Fig.4).
3. The panel support bracket on the uphill side of the second post should be pre-attached 73 1/2" below the top of the post before setting the post. Once the slope and the drop per panel have been determined, the bracket on the downhill side can be attached with the proper height adjustment.
4. Set the second post and make any adjustments to bracket position.

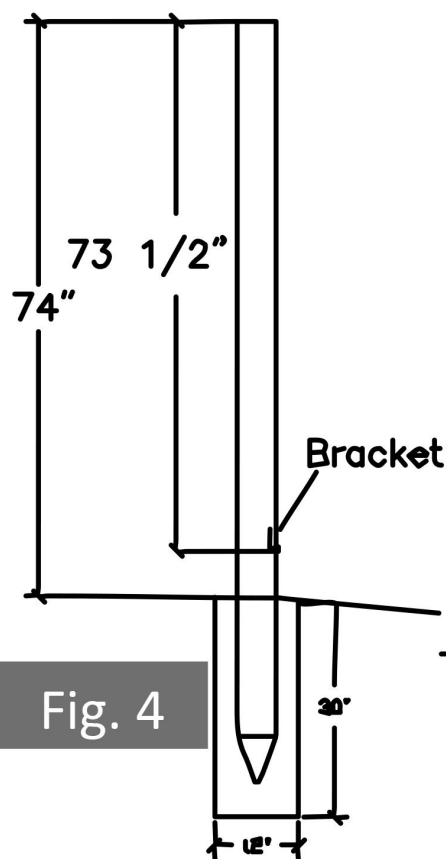


Fig. 4

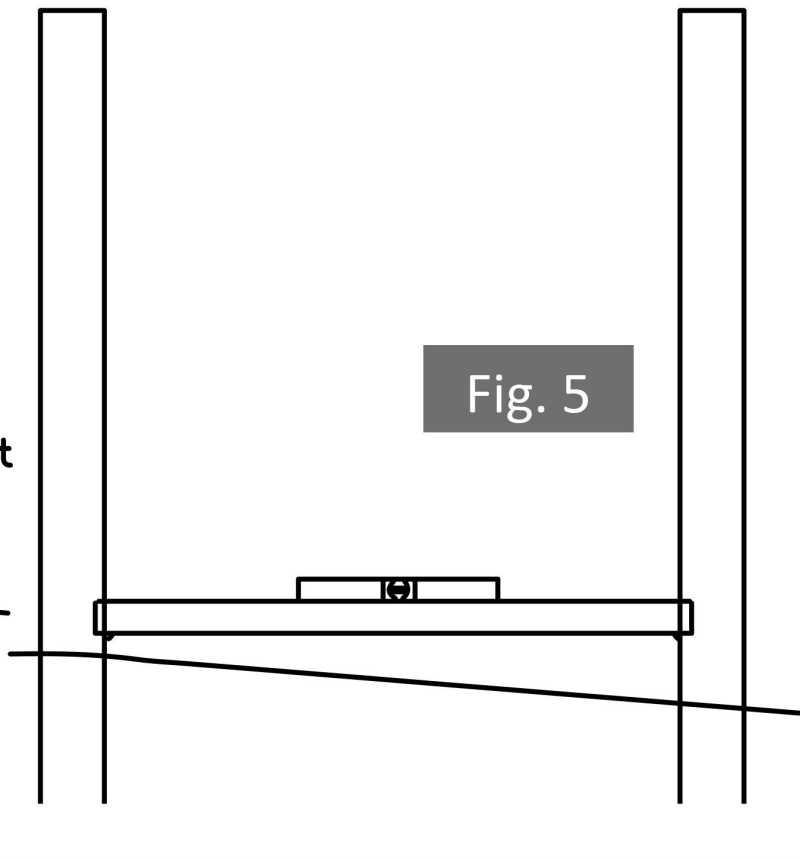
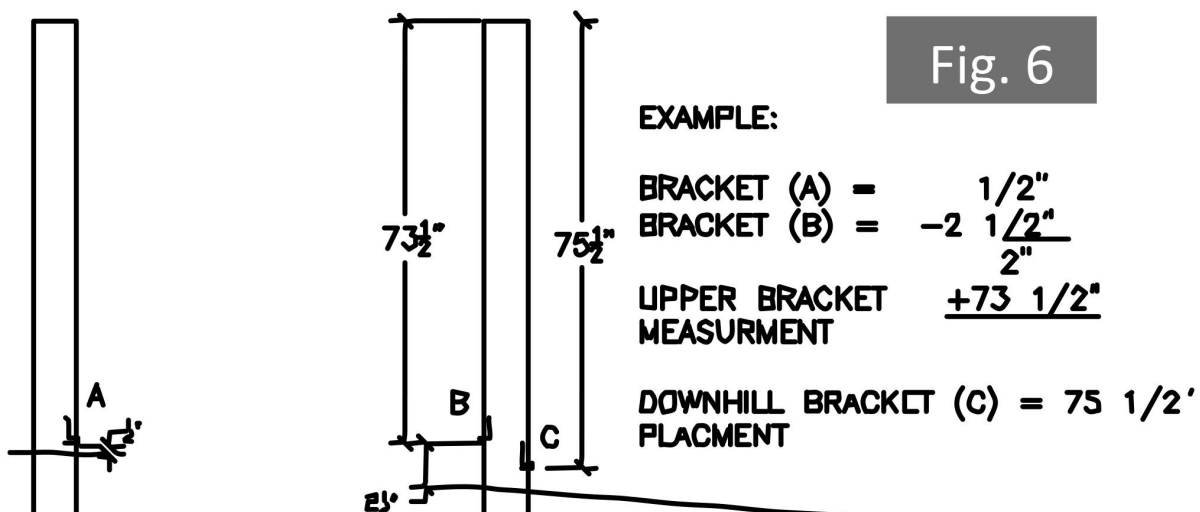


Fig. 5

## How To Guide:

# Bufftech<sup>®</sup> Molded Fence

6. Make sure all posts are level so panels will slide properly when installed.
7. Its essential that the panel stiffener touches post to post. The panel stiffener is wider than the panel to accommodate panel thermal expansion. DO NOT CUT THE STIFFENER UNLESS THE PANEL IS BEING CUT SHORTER\*.
8. Attach a bracket to the downhill side of the post. To determine the location of this bracket, measure from the ground to the bracket on the uphill side of the post and subtract this from the height of the Bracket on the first post set. Add this measurement to 73 1/2" and this will be the placement of the downhill bracket. (see Fig 6).



\*Note: Depending on preference you can narrow the width of the last few panels or cut the first and last panels evenly so that there is not one very narrow panel. You can cut the panels with any circular saw.

## Step 6: Check Steel Stiffeners

1. Make sure the steel top and bottom rails are in the panels. They should come installed from the factory.

How To Guide:

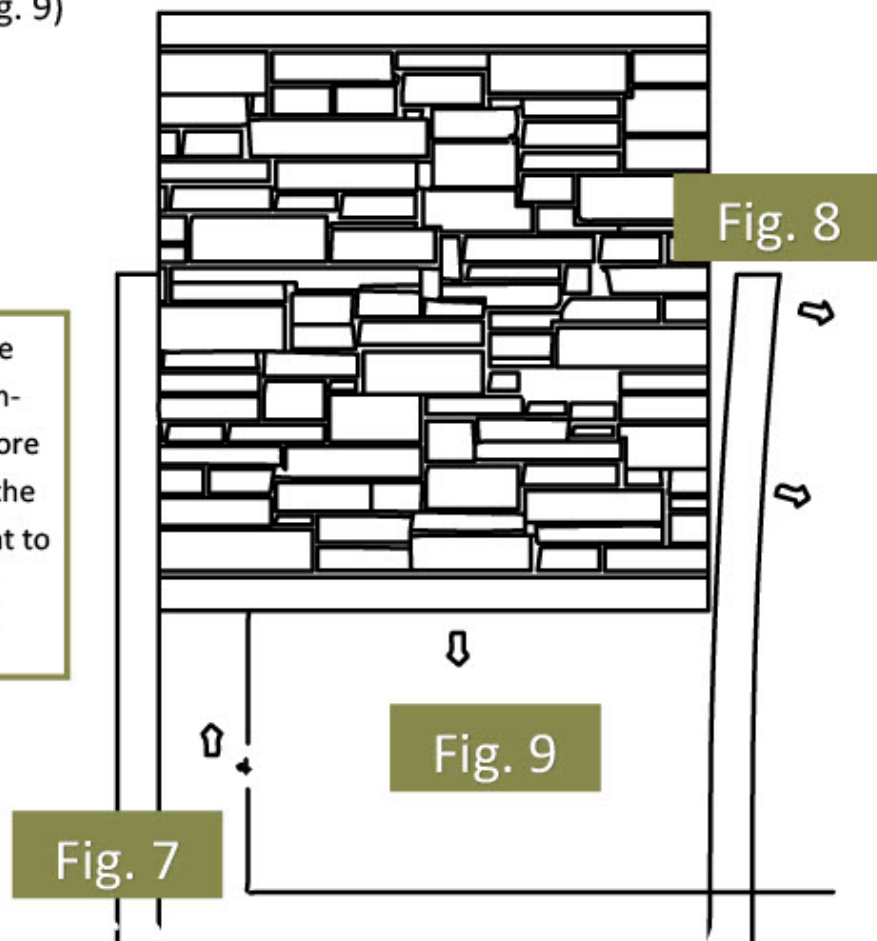
# Bufftech<sup>®</sup>

## Molded Fence

### Step 7: Installing Fence Panels

1. Support Brackets must be attached to the post before you begin .
2. 6' panels are universal , with no definitive front or back and no top or bottom edge. This allows you to mix it up for a more natural design.
3. Lift the bottom approximately 4' off the ground (see Fig. 7). Have one person flex the next post outward until the panel slides into the groove (see fig. 8). Once the panel is in the grove slowly lower the panel onto the brackets. (see fig. 9)

Note: Make sure the concrete has had ample time to cure before installing panels so the post have movement to flex without coming out of the concrete.



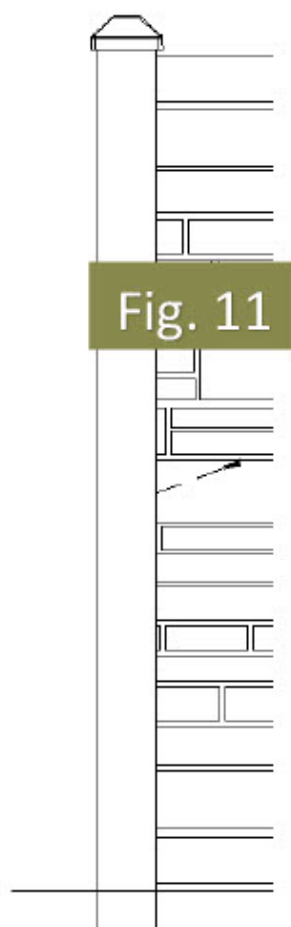
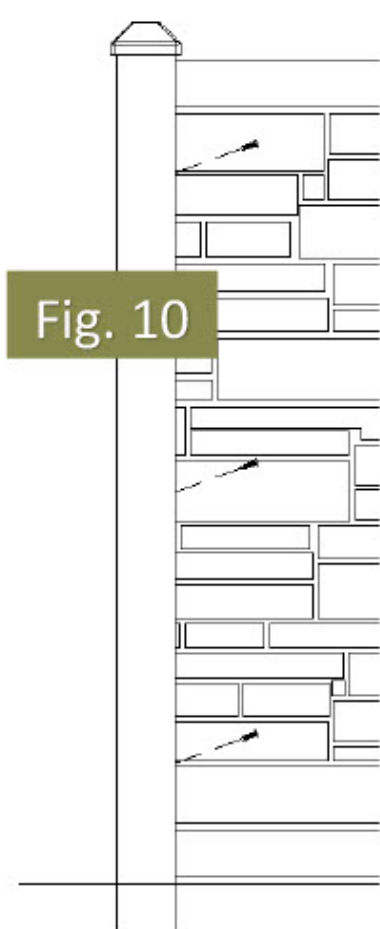
How To Guide:

# Bufftech®

## Molded Fence

### Step 8: Securing Panels

1. Panels must be attached to all gate posts and corner posts!  
Due to the shallower groove they have a higher chance of becoming disengaged from the post (see Fig. 10).
2. To prevent unauthorized panel removal, you can put one fastener per panel through the panel edge into the post (see Fig. 11).
3. Caution. Never attach both side of a panel to posts. Polyethylene has a degree of thermal expansion.



How To Guide:

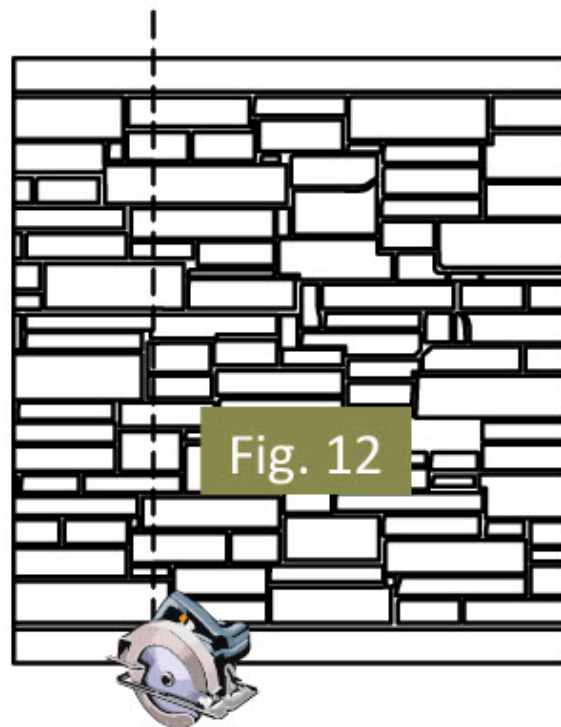
# *Bufftech*<sup>®</sup>

## Molded Fence

### Step 9: Cutting Panels

Where a narrower panel is required to finish the fence the panels can be cut to any length.

1. Remove the steel stiffeners from the panels that need to be cut. Determine the exact width between the post channels. Mark and cut stiffeners with a metal cutting blade.
2. Using a circular saw, cut the panel to same width minus 1/2" to allow for thermal expansion and contraction. Be sure to cut panel parallel for proper fit.
3. If using cut panel with an end, gate, or corner post, use the factory edge for attachment.
4. For steeper slopes, cut panels so the step or drop in each section is 12" or less.
5. Panels should not be cut for height, only width.



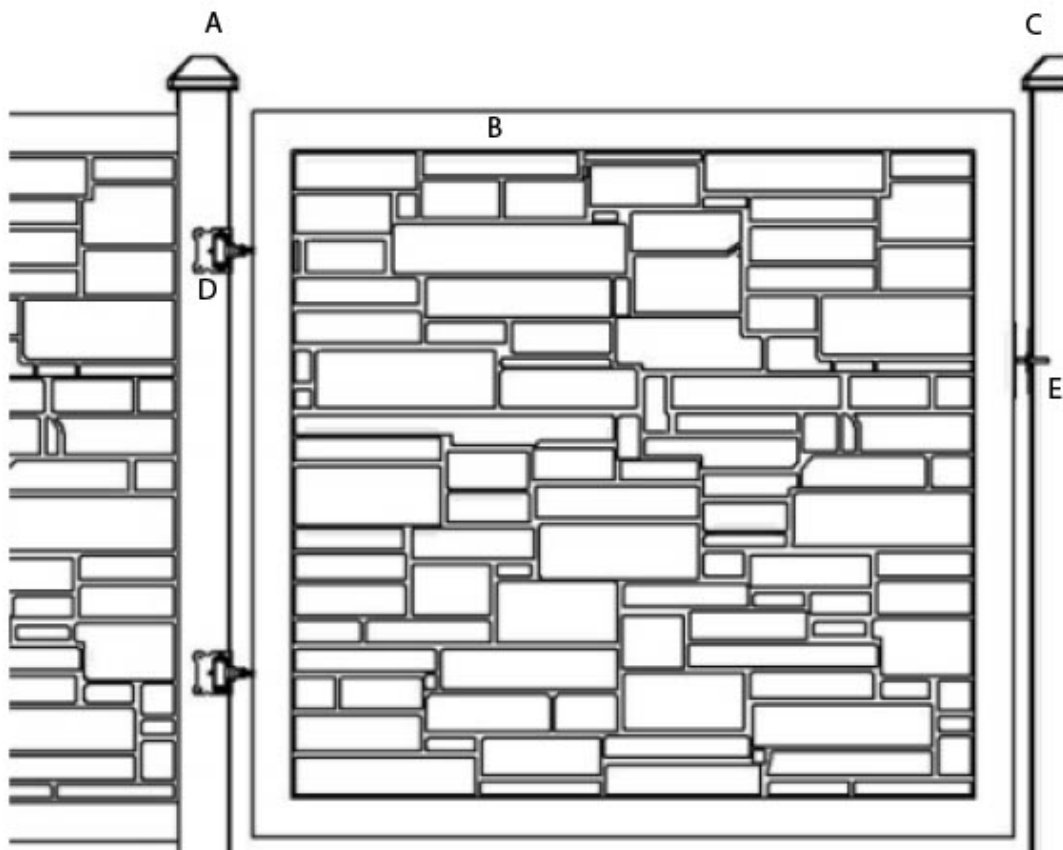


How To Guide:

# *Bufftech*<sup>®</sup> Molded Fence

## Installing Single Gate

- A. 1 Gate Post
- B. Fence Gate
- C. End Post
- D. Hinges
- E. Latch



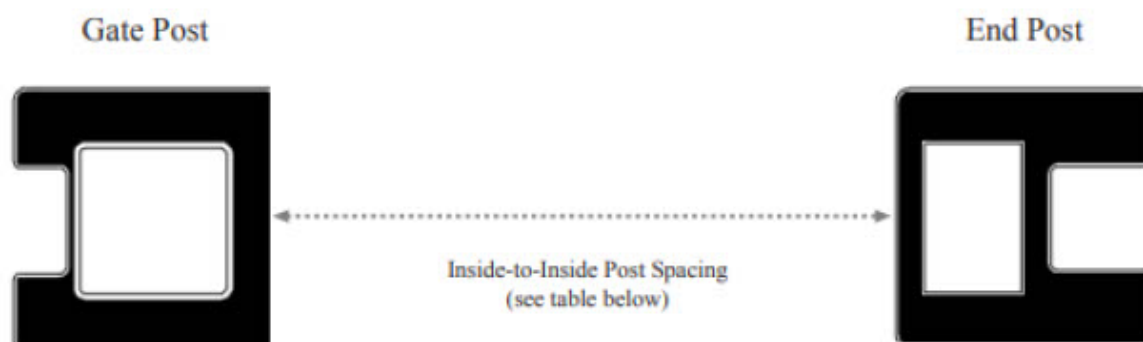
How To Guide:

# Bufftech® Molded Fence

## Step 1: Gate Opening

1. Post spacing is critical. The ideal spacing is to have a 1" gap between the latch post and the striker bar side of the gate and 1 1/2" for the hinge side. The extra gap is for weather expansion.
2. Set the post using the same method as the other posts but make sure you use a gate post for the hinge side of the gate.

Gate Width	Gate Opening
3' wide	38 1/2"
4' wide	50 1/2"
5' wide	62 1/2"
6' wide	73 1/2"



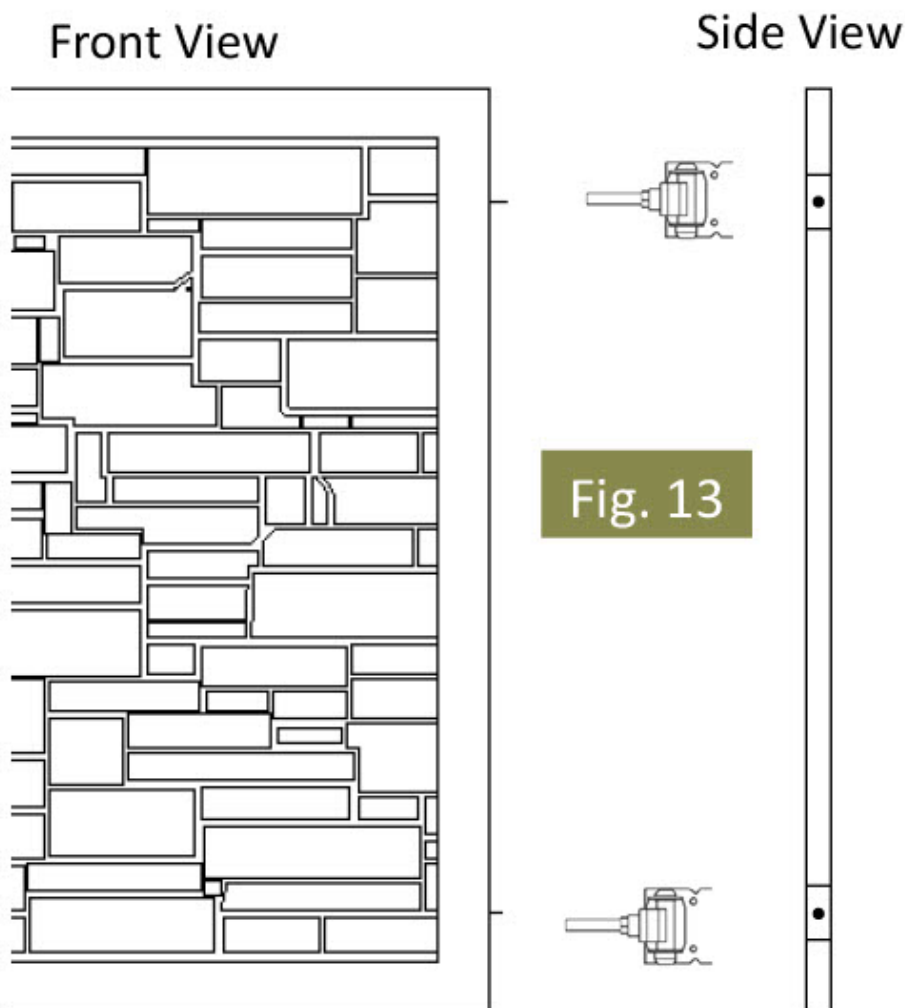
How To Guide:

# Bufftech<sup>®</sup>

## Molded Fence

### Step 2: Install Gate Hardware

1. Attach the striker to the gate with provided screws.
2. Attach the hinges to the gate in provided spots on the Gate Panel Frame (see Fig. 13) then leave about 1 1/2" between gate panel and edge of gate bracket.



How To Guide:

# *Bufftech*<sup>®</sup>

## Molded Fence

### Step 3: Hang Gate

1. Hold the gate panel and hinges against the gate post, inline with the fence, and at the proper height.
2. Check if gate is level. Use wooden blocks to make sure gate is level (see Fig. 14), then install the hinges to the gate post with provided screws.

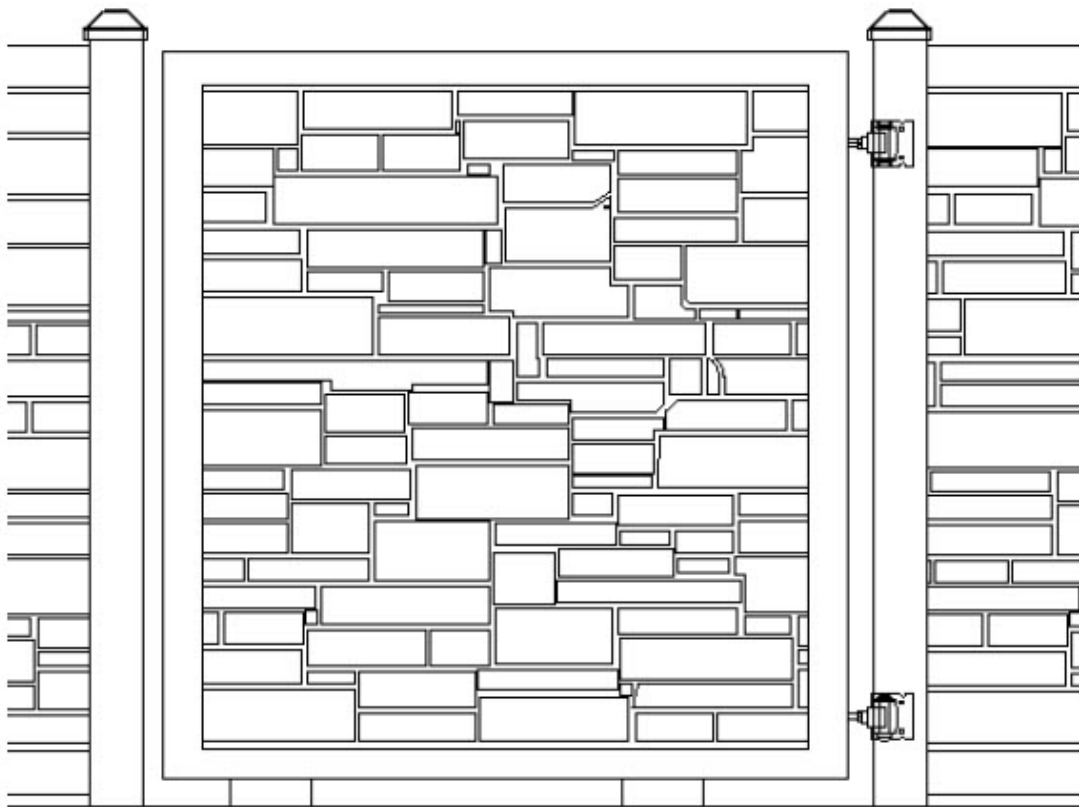


Fig. 14

How To Guide:

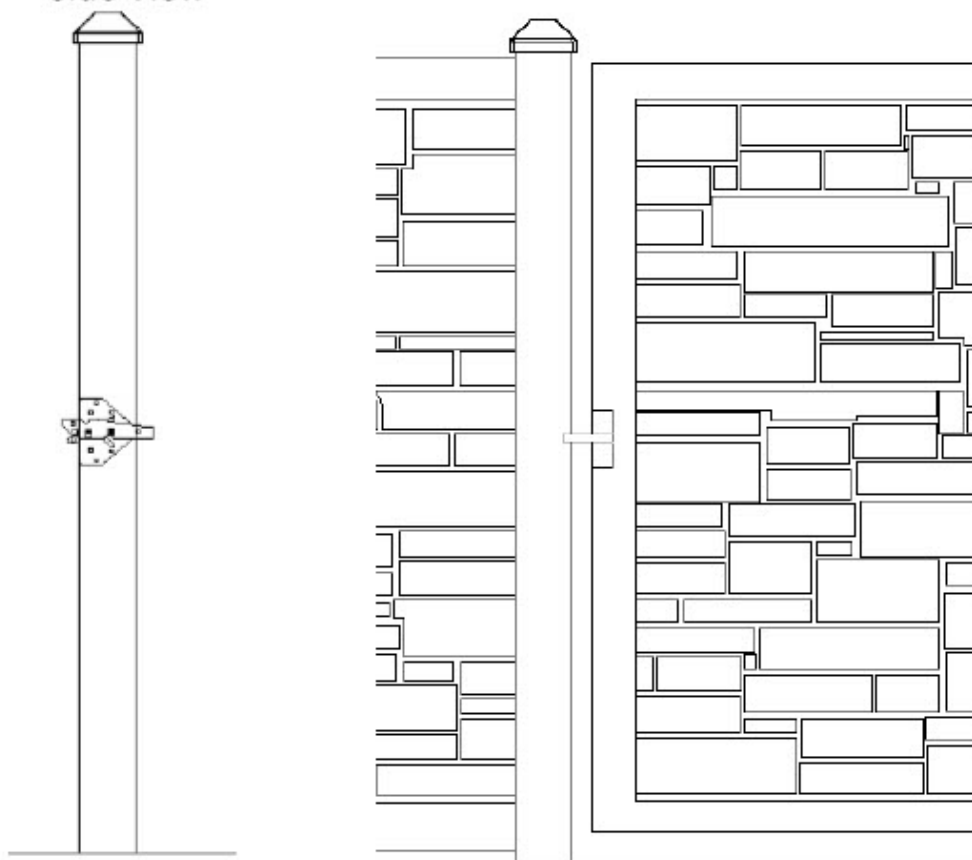
# *Bufftech*<sup>®</sup>

## Molded Fence

### Step 4 : Finish Gate

1. Line up striker rod to the end post to find the correct height to add the latch.
2. Then attach the latch to end post at the marked height with provided screws.

Side View



### Step 5: Make Any Final Adjustments

1. Make any minor adjustment to the gate to make it level by tightening the bolts on the hinges to move the gate panel closer to the post .



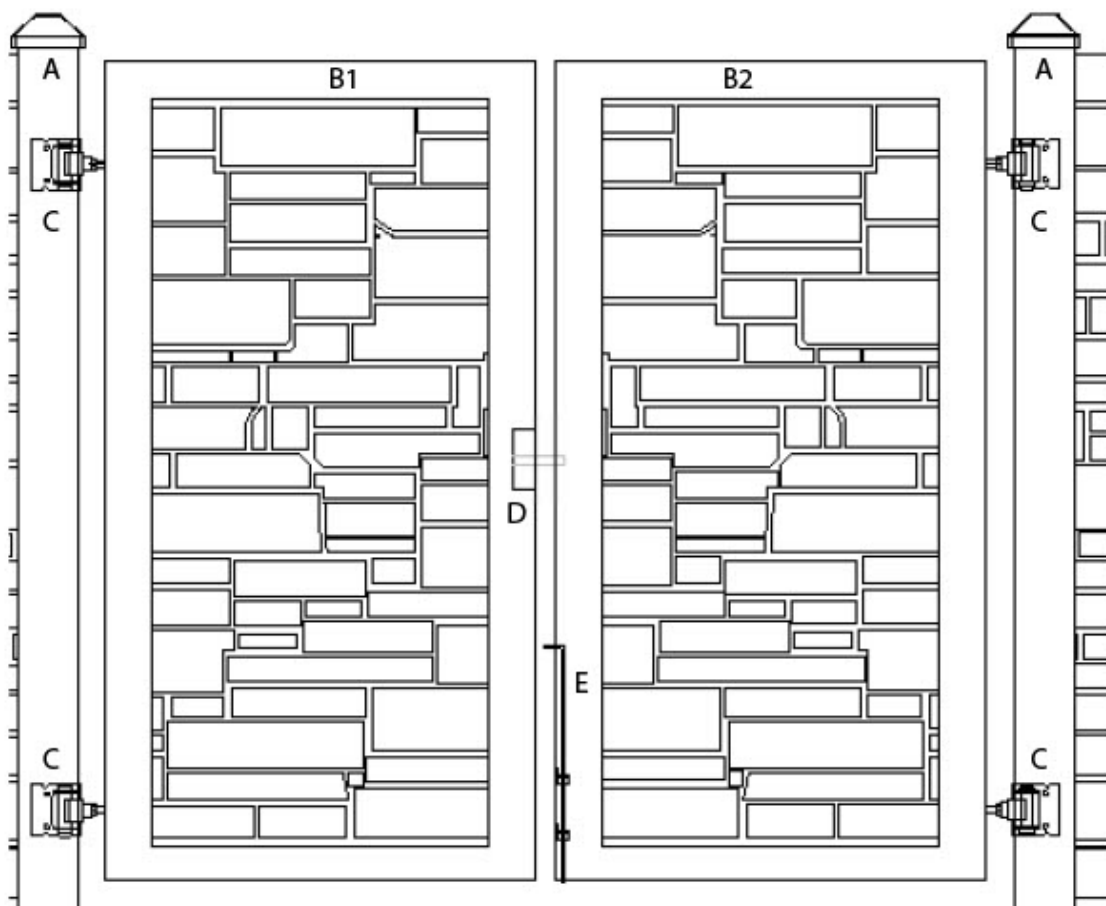
How To Guide:

*Bufftech*<sup>®</sup>

Molded Fence

## Install Double Gate

- A. Gate Posts
- B. Fence Gates
- C. Hinges
- D. Latch
- E. Drop Rod



How To Guide:

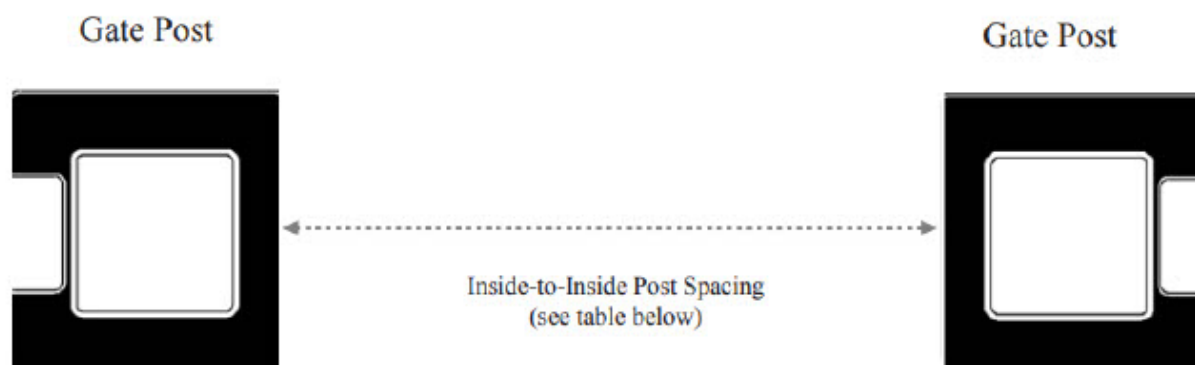
# Bufftech<sup>®</sup>

## Molded Fence

### Step 1: Gate Opening

1. Post spacing is critical. The ideal spacing is to have a 1" gap between the latch post and the striker bar side of the gate and 1 1/2" for the hinge side. The extra gap is for weather expansion.
2. Set the post using the same method as the other post but make sure you use a gate post for the hinge side of the gate.

Gate Width	Double Drive with 3' Gate	Double Drive with 4' Gate	Double Drive with 5' Gate	Double Drive with 6' Gate
3' Wide Gate	76"	88"	100"	111"
4' Wide Gate	88"	100"	112"	123"
5' Wide Gate	100"	112"	124"	135"
6' Wide Gate	111"	123"	135"	146"



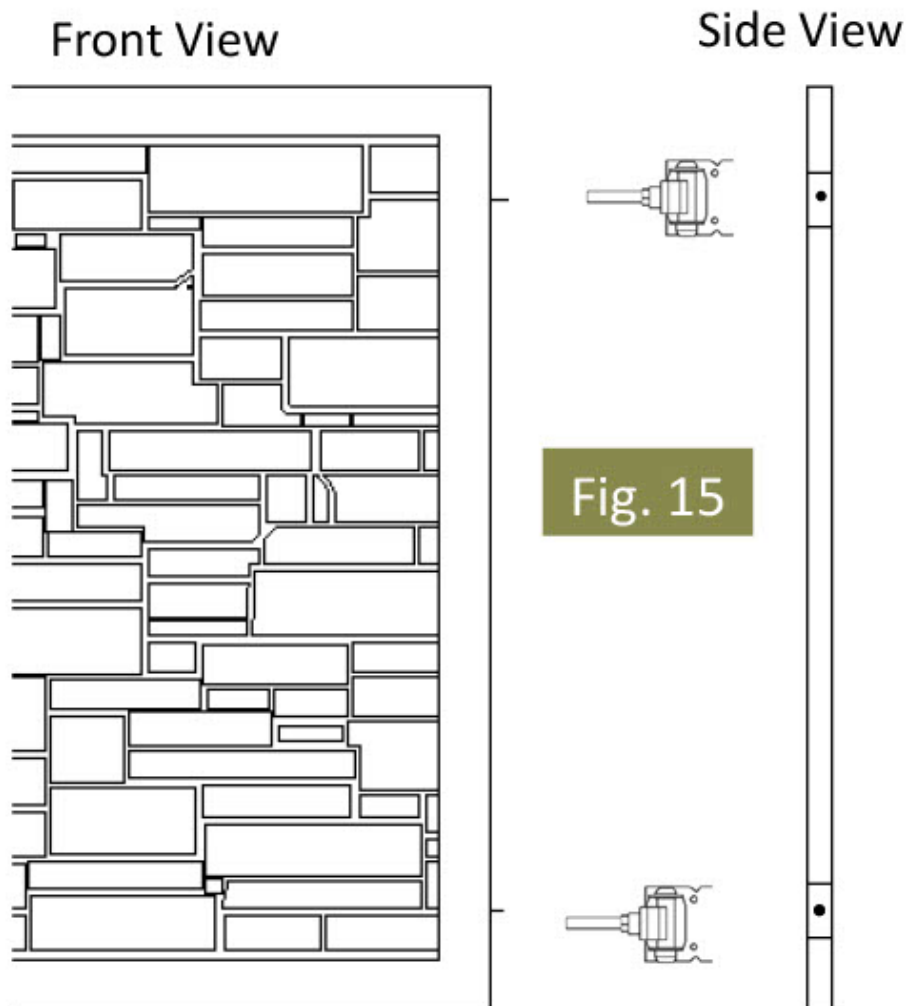
How To Guide:

# Bufftech®

## Molded Fence

### Step 2: Install Gate Hardware

1. Attach the striker to the gate will provided screws.
2. Attach the hinges to the gates in provided spots on the Gate Panel Frames (see Fig. 15) then leave about 1 1/2" between gate panel and edge of gate bracket.
3. Install hinges on both gate panels.



How To Guide:

# *Bufftech*<sup>®</sup> Molded Fence

## Step 3: Hang Gates

1. Hold the gate panels and hinges against the gate post, in line with the fence, and at the proper height.
2. Check if gate is level. Use wooden blocks to make sure gates are level (see Fig. 16), then install the hinges to the gate post with provided screws.

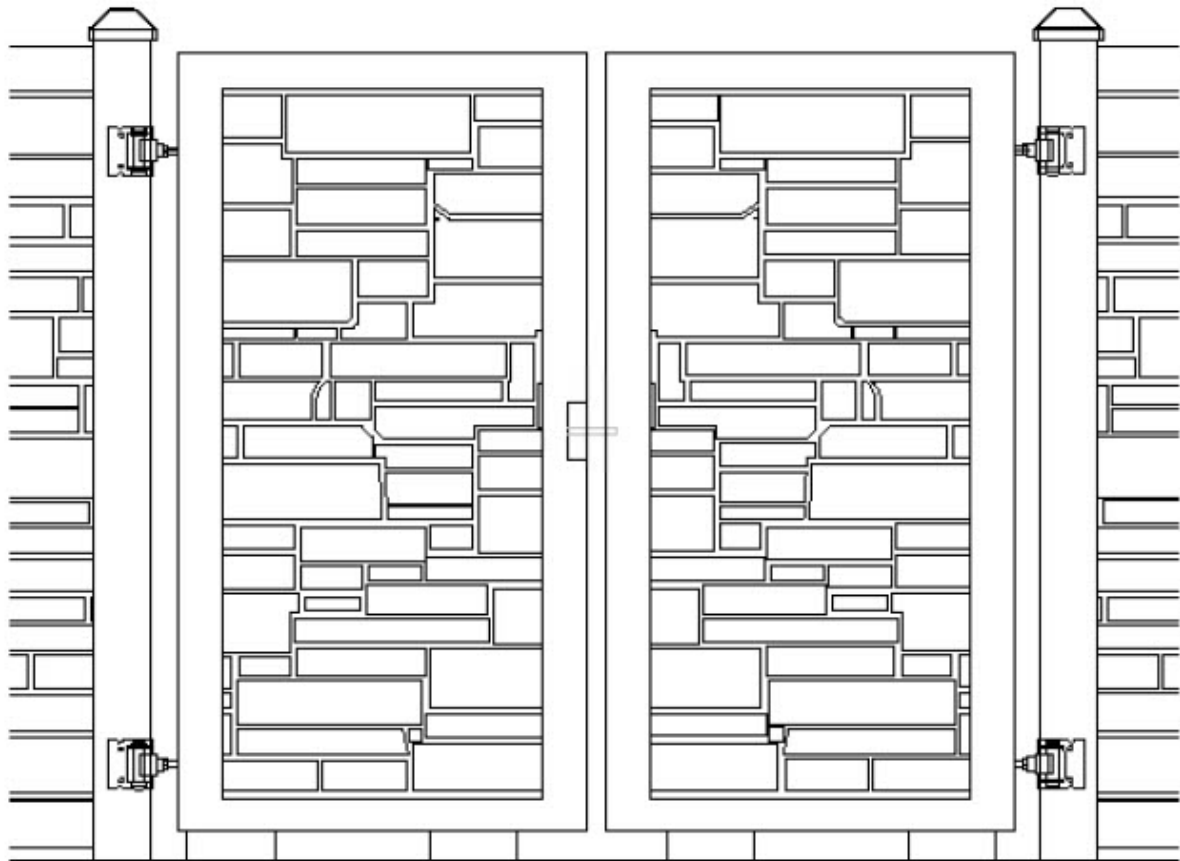


Fig. 16

How To Guide:

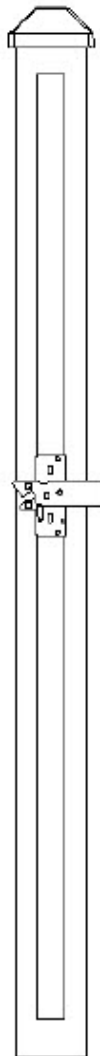
# *Bufftech*<sup>®</sup>

## Molded Fence

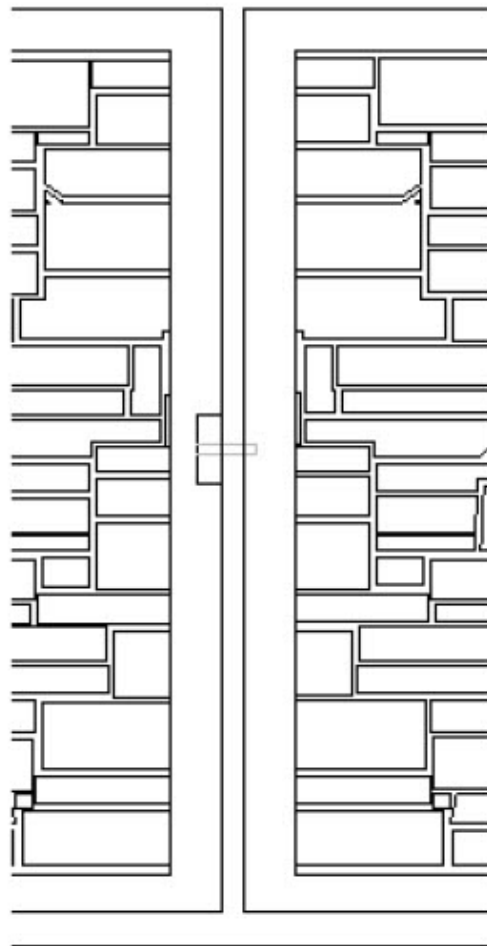
### Step 4 : Finish Gate

1. Line up striker rod to other gate panel to find correct height for the latch.
2. Then attach the latch to gate panel at the marked height with provided screws.

Side View



Front View





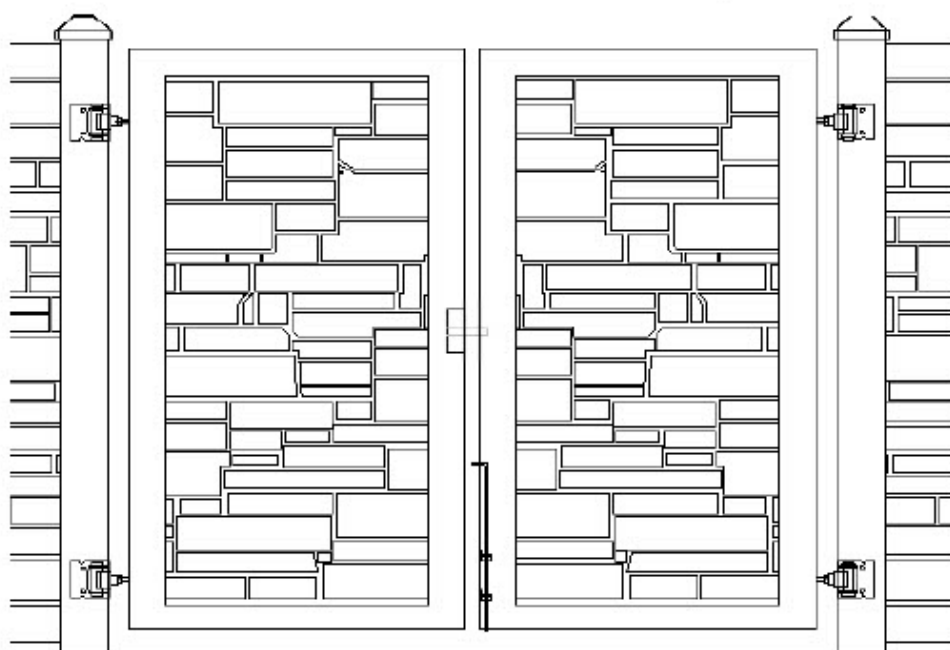
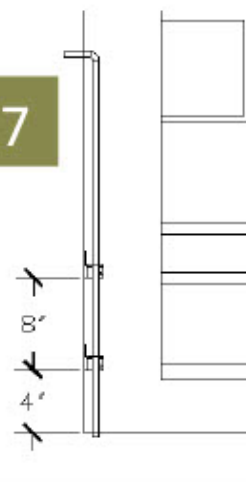
How To Guide:

# Bufftech® Molded Fence

## Step 5: Make any Final Adjustments

1. Attach drop rod to gate. First bracket is 4" above the bottom of gate and 8" between the two brackets (see Fig 17).
2. Make any minor adjustments to the gate to make it level by tightening the bolts on the hinges to move the gate panel closer to the post.

Fig. 17



Contact us:



FENCE & DECK SUPPLY

Fence and Deck Supply

Provo: 543 E. 600 S.

SLC: 2912 S. 460 W.

801-649-6603

801-997-9393

FenceAndDeckSupply.com