

How To Guide:

IRONGUARD Railing



Fence & Deck Supply

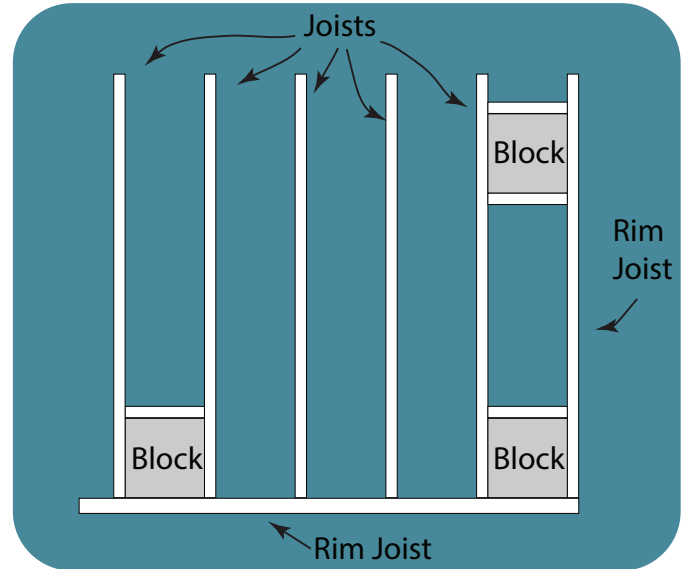
FenceAndDeckSupply.com

How To Guide:

IRONGUARD Railing

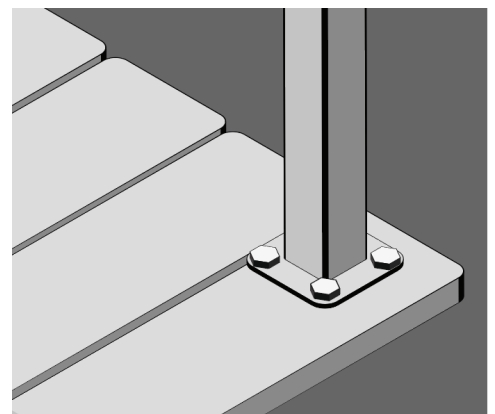
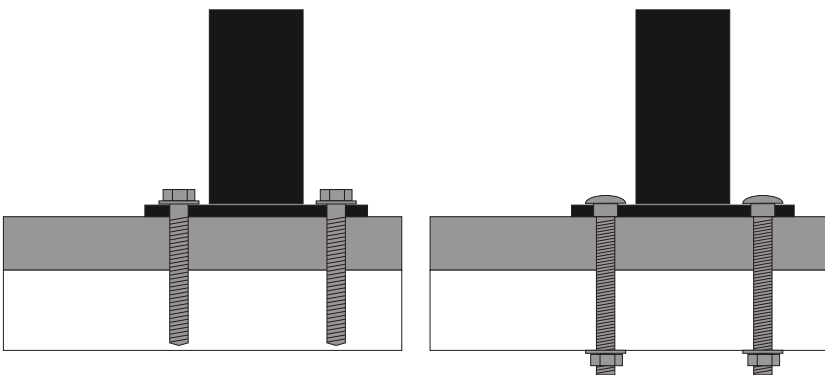
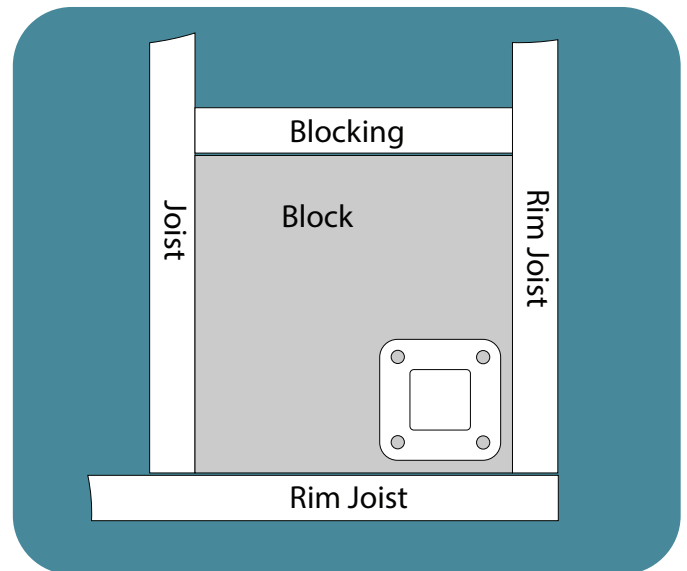
Step 1: Add Blocking

1. Install a wood block flat and level with the top of the wood joists at each post location.
2. Secure the block on all four sides, adding wood blocking where needed.



Step 2: Attach Posts

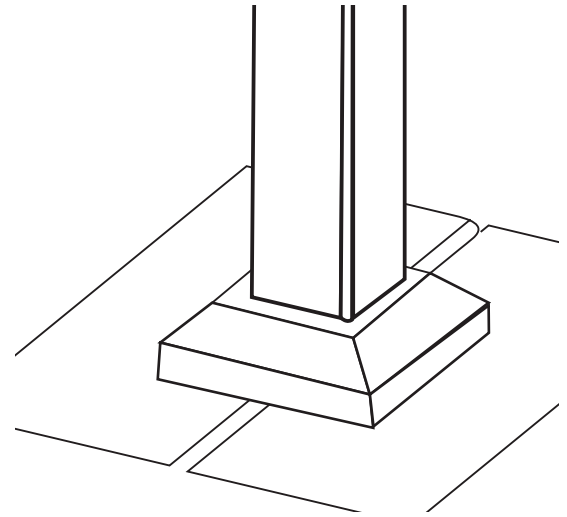
1. Once your decking is installed, secure your posts by attaching through the decking and into the block.
2. You may attach the posts using lag screws or drill all the way through the block and attach with carriage bolts.



IRONGUARD Railing

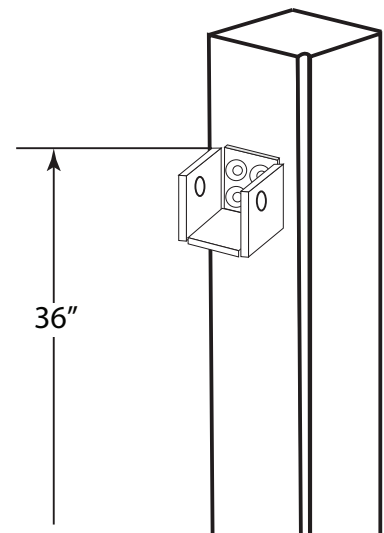
Step 3: Add Skirts

1. The skirt is optional, and can also be added at a later time due to its two-piece nature.
2. If you are using skirts, add them now by sliding them down the post into place.



Step 4: Add Top Brackets

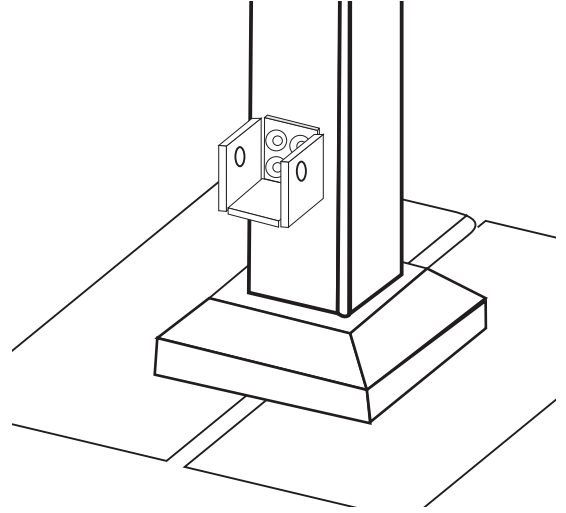
1. Measure up from the deck surface 36" to place the top of the bracket.
2. Secure the bracket to the post using the supplied self tapping screws.



IRONGUARD Railing

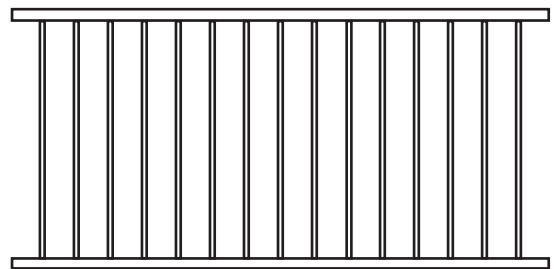
Step 5: Add Bottom Brackets

1. Measure down from the top of the top bracket 33 1/4" to place the top of the bottom bracket.
2. Secure the bracket to the post using the supplied self tapping screws.



Step 6: Measure and Cut Panel

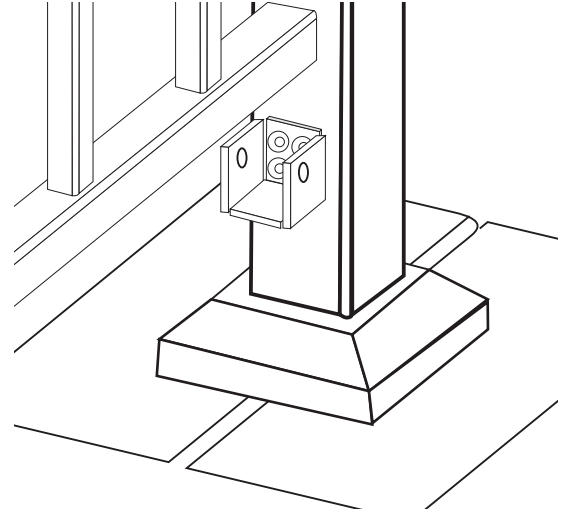
1. Measure the distance from post to post.
2. Using a metal cutting saw, cut your panel 1/4" shorter than your measurement.



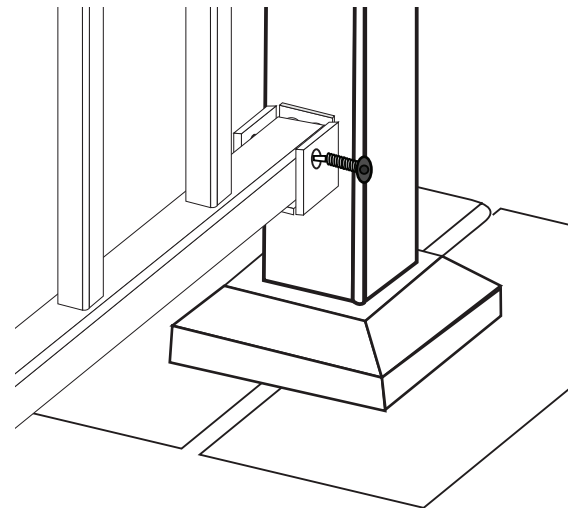
IRONGUARD Railing

Step 7: Set Panel Into Brackets

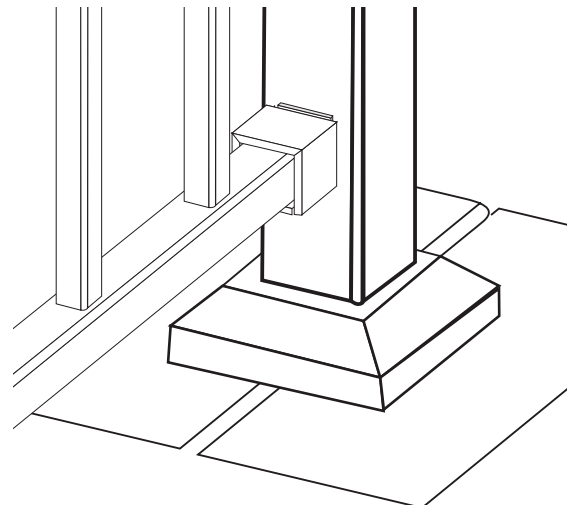
1. Carefully lower the cut panel into the open brackets.



2. Secure the panel in each bracket using the self tapping screw.



3. Snap the bracket covers over the panel.



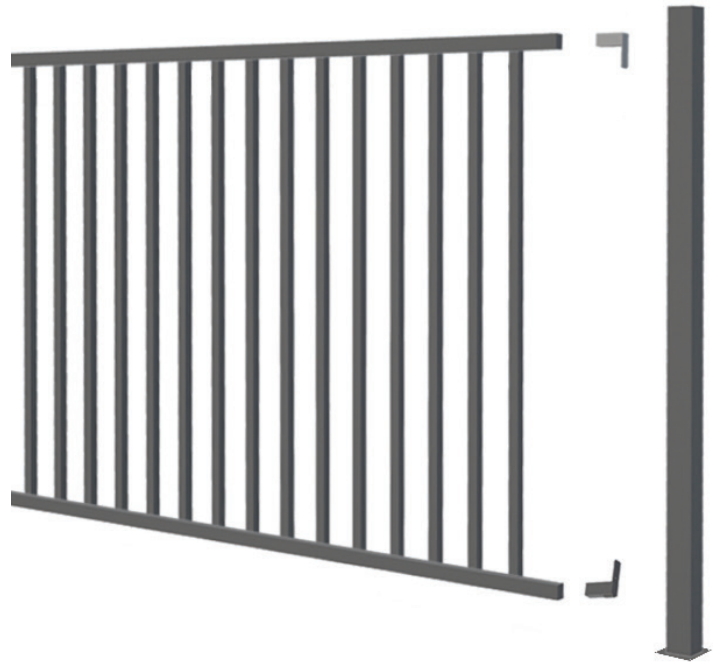
How To Guide:

IRONGUARD Railing

Optional Attachment: Internal Bracket

Step 1: Measure and Cut Panel

1. Measure the distance between the posts.
2. Using a metal cutting saw, cut the panel 1/8" shorter than your measurement.

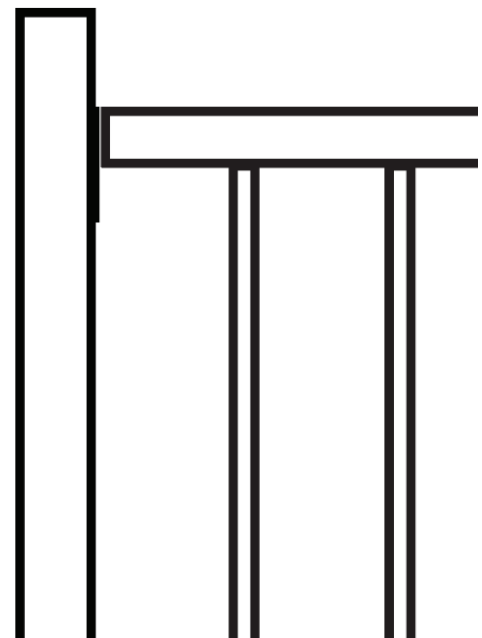


Step 2: Insert Brackets

1. Insert the internal bracket into the top rails with the tab hanging down.
2. Insert the internal brackets into the bottom rails with the tabs facing up.

Step 3: Secure the Panels

1. Measure up from the deck surface 36".
2. Secure the railing panel using the provided fasteners.



How To Guide:

IRONGUARD Railing

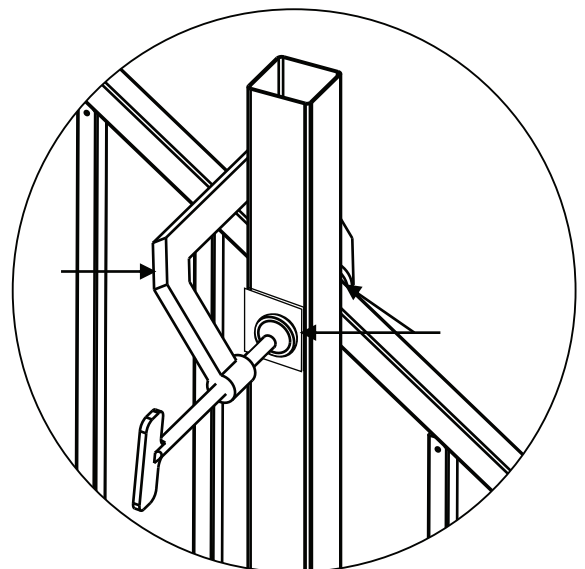
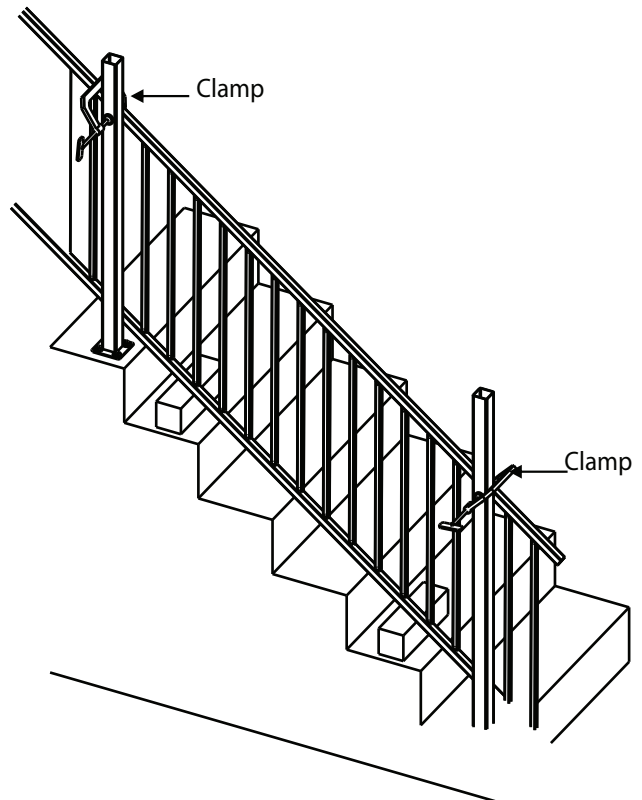
Optional Attachment: Stair Panels

Step 1: Use Longer Posts

1. Longer posts are required on the stairs due to the angle and the need to clear the risers.

Step 2: Position Panel

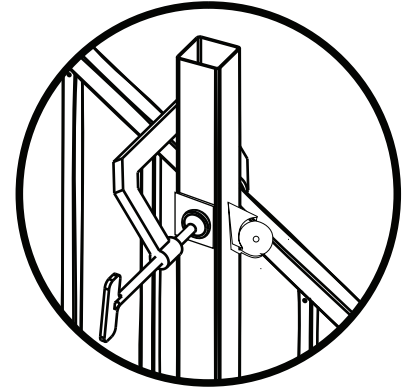
1. Position the uncut panel along side of the posts, evenly spaced between them. You may use blocks to help position the panel at the appropriate height.
2. Use clamps (and pieces of cardboard to prevent scratching) to hold the panel in place while you complete the next steps.



IRONGUARD Railing

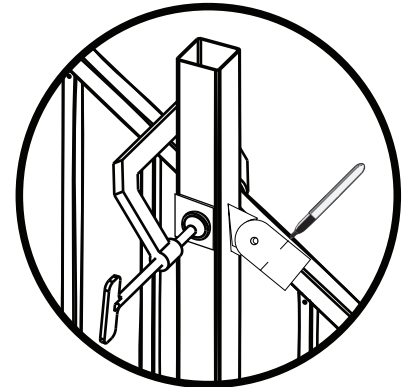
Step 3: Attach Bracket Flanges

1. Separate the angle bracket into two parts by removing the hinge screw.
2. Line the flange up with the railing.
3. Secure the flange half in place with the provided self tapping screws.



Step 4: Mark and Cut Panel

1. Temporarily slide the bracket sleeve over the flange and hold in place.
2. Mark the railing with a marker at the depth of the sleeve cup.
3. Repeat for all four sleeves.
4. Remove the clamps and cut the railing as marked with a metal cutting saw.



Step 5: Attach Bracket Sleeves

1. Slide the sleeves onto the railing and secure with the self tapping screws.
2. Beginning with the upstairs side, pop the sleeves over the flanges.
3. Pop the sleeves over the downstairs flanges. You may have to flex the post to get it to fit.
4. Replace the hinge screws.

