

Steel Board Gate Installation Instructions

Note: These instructions are for a new fence installation. If you are installing the gate with an existing fence, contact us for further instructions.

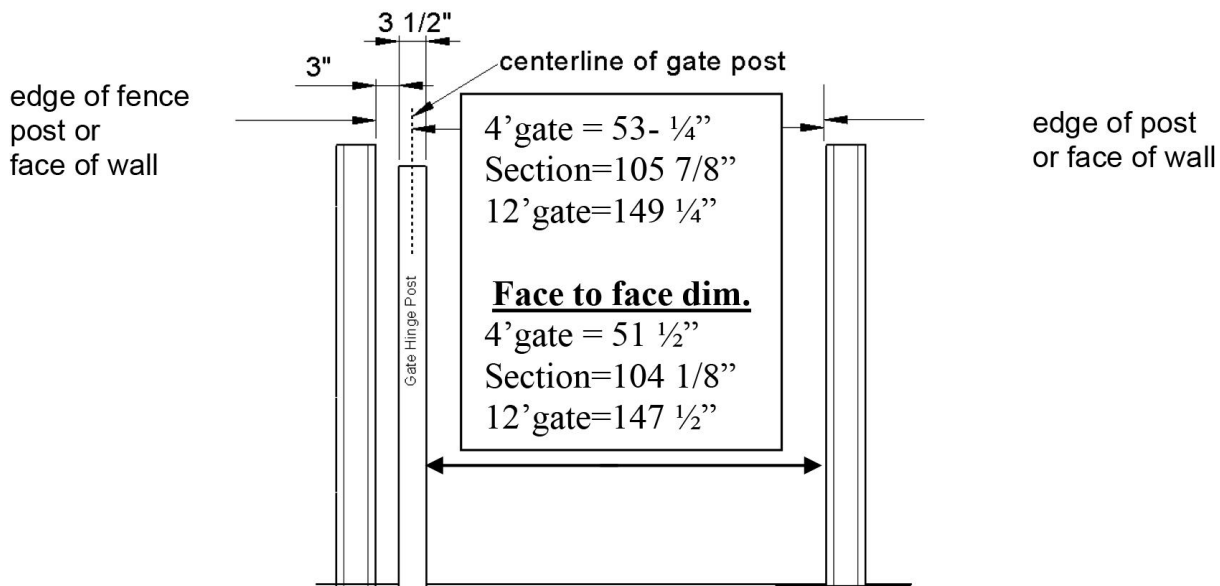
Tools required:

1. post hole digger;
2. tape measure;
3. stretch wrap;
4. level;
5. crescent wrench;
6. sledge hammer;
7. 5/16" hex key or bolt;
8. quick setting concrete (3-80# bags)
9. two 4' length 2x4's (optional); and
10. adhesive to secure post cap (optional).

Parts provided: 1) 3 1/2" diameter gate post; 2) Steel Board Gate assembly (includes bearing assemblies); 3) gate cap; and 4) 3/8" x 6" bolt and nut.

Spacing for gate opening (see Figure 1).

FIGURE 1

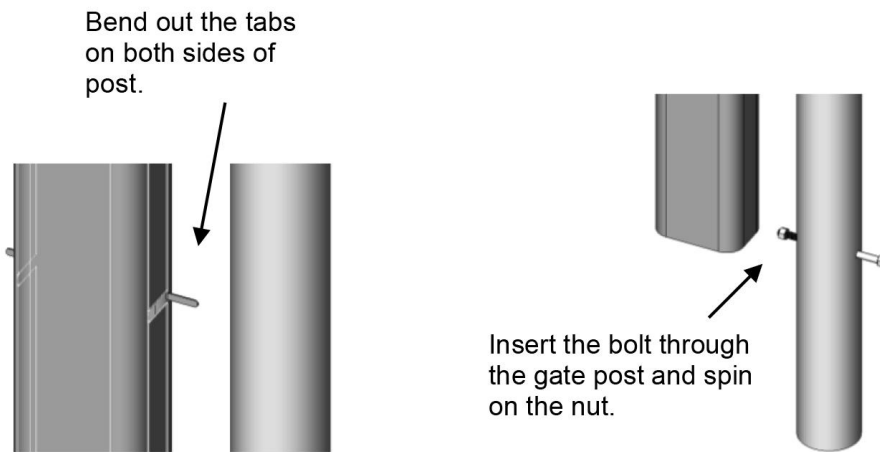


Installation Procedure:

If you are mounting both a gate post and a fence post in the same hole, start at step 1. If you are mounting just a gate post, start at step 5.

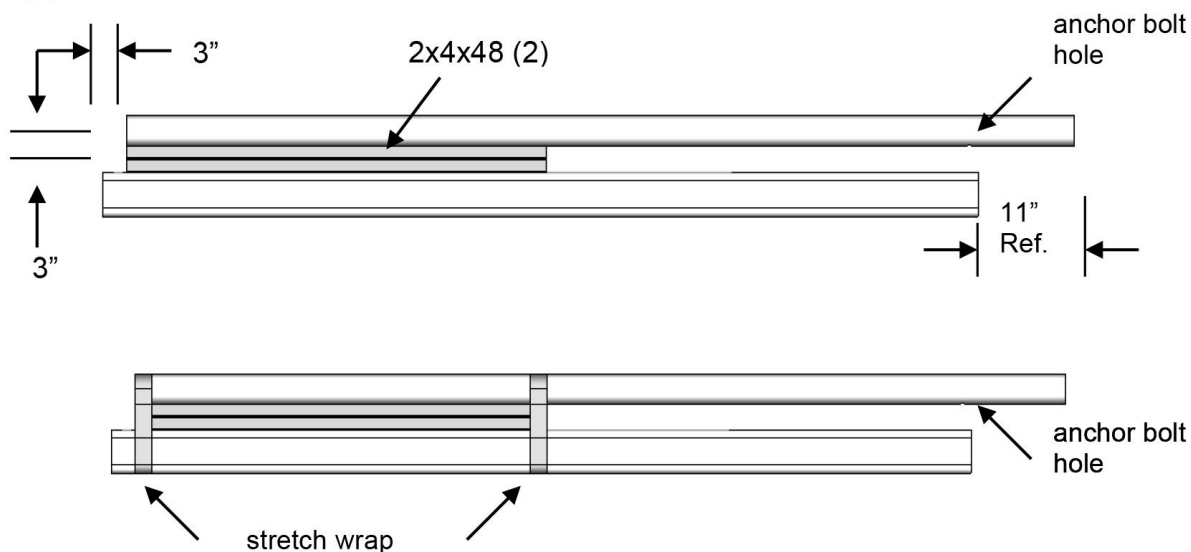
1. (See Figure 2.) Near the bottom of the fence post, bend out the tabs to at least 45° and not more than 90° for anchoring the fence post in the concrete. On the bottom of the heavy round gate post, slide the 6" bolt through the hole to anchor it and put on the 3/8" nut for retention.

FIGURE 2



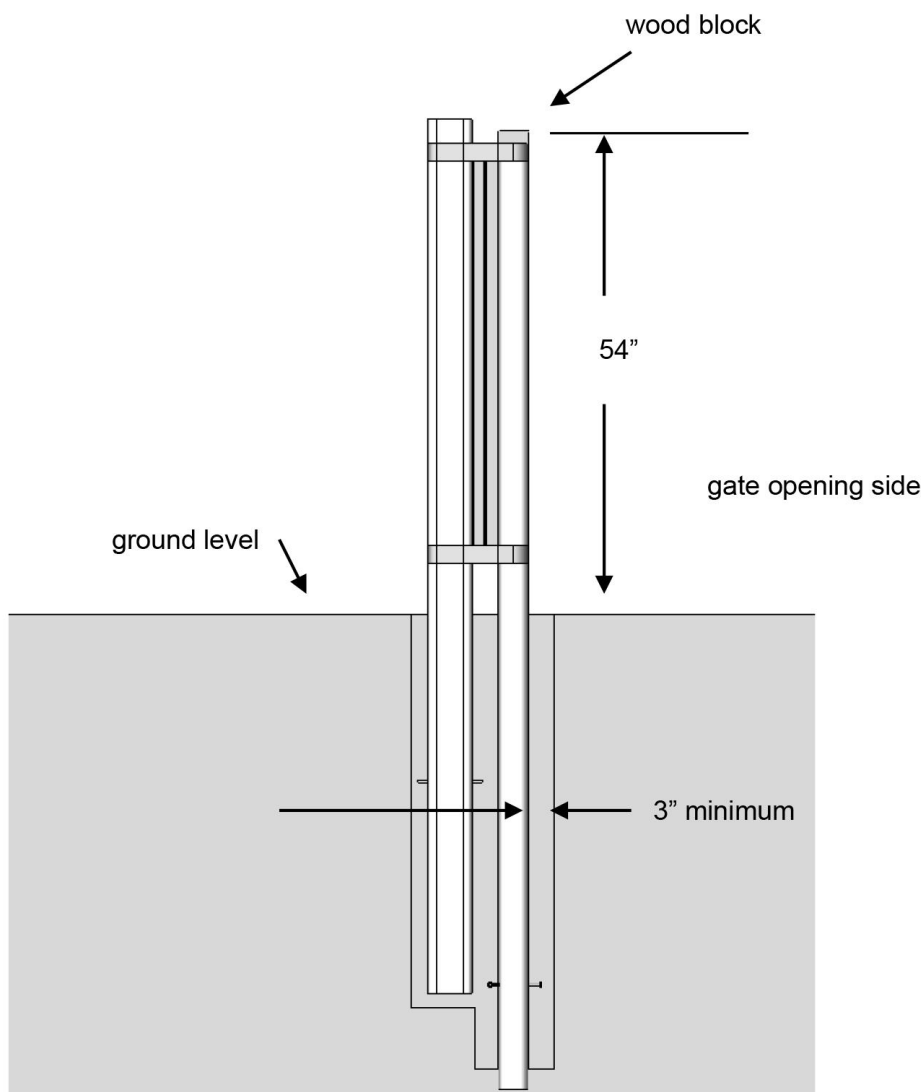
2. (See Figure 3.) Using stretch wrap, strap the gate post and the fence post together with the two 2x4's between them. Make sure the top of the gate post is below the top of the fence post by exactly 3" as shown below (figure 3). The 2x4's must be above ground level or at least 54" from the bottom of the gate post. The 2x4's will set the 3" gap between the two posts correctly and set the height difference of the posts correctly. Also be sure you can access the holes for the gate anchor bolt found 12" from the bottom of the gate post.

FIGURE 3



3. If the gate post is to be mounted next to a wall or existing fence post, clear out the hole all the way to the existing wall or fence post so the gate post can have only a 3" gap to the wall or fence post for ideal spacing.
4. If mounting both the gate post and a fence post, bore a hole 52" deep with a 12" diameter.
5. When mounting a single gate post and no fence post, bore a hole 52" deep with a 10" diameter.
6. (See Figure 4.) Set the gate post assembly in the hole with a 3" gap to the wall or the existing fence post. Plumb and square the gate post. Using a wood block for cushioning the blow, use a sledge hammer to tap the gate post into the ground until you measure 54" from ground level to the top of the gate post.

FIGURE 4

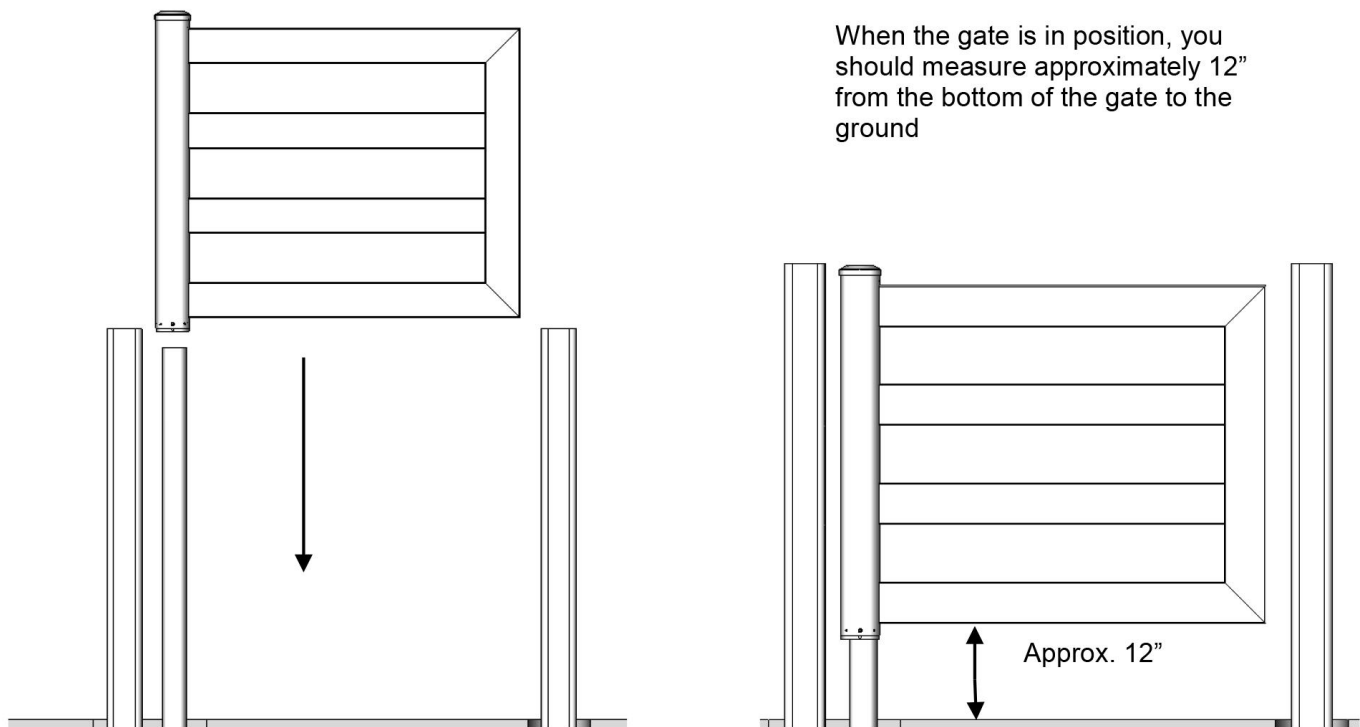


7. Once the height is correct and the gate post is square, pour the quick setting concrete into the hole to a height of 2” to 3” below ground level. After the concrete is poured, check again that the gate post is plumb and the height is correct in case of movement.

8. Allow the concrete footing to set for three (3) days before hanging the gate. If you cannot wait three (3) days before hanging the gate, you must block up the gate end to prevent the gate post from leaning.

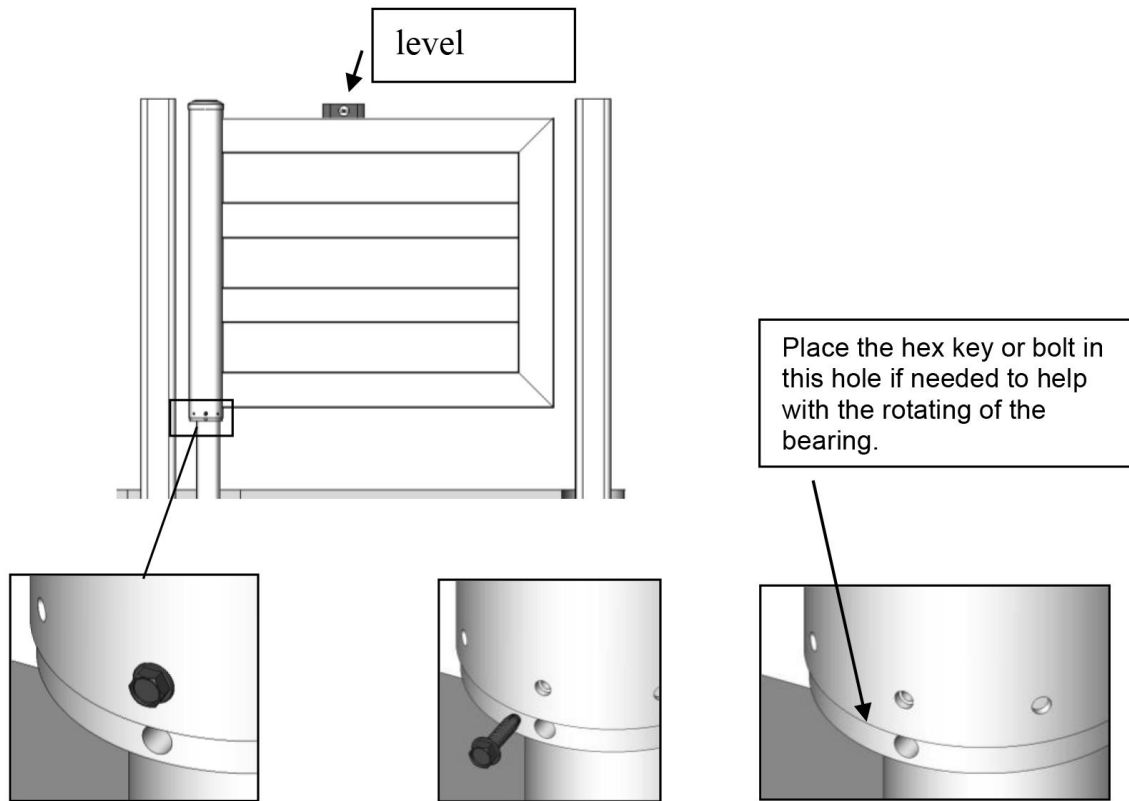
9. (See Figure 5.) Once the concrete is fully set, remove the stretch wrap and 2x4’s from between the two posts. Take the gate and lift it over the gate post and slide it down the gate post until the top bearing assembly is seated on the gate post. You may have to jiggle the gate to be sure the bearing catches the post top. The top rail of the gate should be at the same height as the gate post top and should match the fence rail height (typically 54”).

FIGURE 5



10. (See Figure 6.) Place a level on the top rail of the gate. If the gate is not level, remove the screw from the lower bearing on the gate and with a 5/16" bolt or hex key, rotate the bearing to level the gate while a second person takes the weight off the end of the gate. Once the top rail is level, line up the nearest bearing screw hole by rotating the bearing and replace the screw.

FIGURE 6



11. Finished assembly. When the gate is level and opening and closing easily and quietly, put on the gate cap. We recommend using adhesive (silicon caulking compound) to secure the cap.